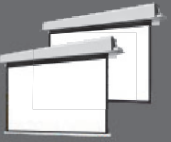


# MOTORIZED SCREEN SERIES USER MANUAL



04



16



27

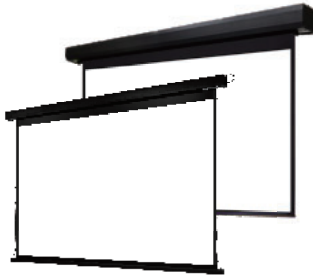
Please read this instruction manual carefully before connecting, operating or adjusting this machine.  
Please keep this manual in a safe place for future reference.

# CONTENT

Guidance	1-3
Suggested Projector Placement .....	2
Screen Care.....	4



Parts.....	4
Installation.....	5
Adjustment And Usage.....	6



Parts.....	16
Wall Installation.....	17
Adjustment And Usage.....	18
T-Type Motor Limit Setting.....	19
Controls using 3rd Party .....	20

Parts.....	21
Wall Installation.....	22
Adjustment And Usage.....	24
T-Type Motor Limit Setting.....	25
Controls using 3rd Party .....	26



Parts.....	27
Wall Installation.....	28
Controls using 3rd Party .....	34

Parts.....	29
Wall Installation.....	30
Adjustment And Usage.....	32
T-Type Motor Limit Setting.....	33
Controls using 3rd Party .....	34

Trouble Shooting	36-38
Screen Flatness.....	37
Fix Broken Tension String.....	38
Sync-Trigger.....	38
Fault Analysis And Elimination.....	38

\*T-Type: standard tubular motor limit setting(tool required)

\*E-Type: electronic tubular motor limit setting

## TO THE OWNER

Thank you for purchasing our quality screen that uses fine fabric and mechanical components to give you trouble-free enjoyment for years. Please read this specification detailedly before installation and usage. Design and specifications are subject to change without notice.

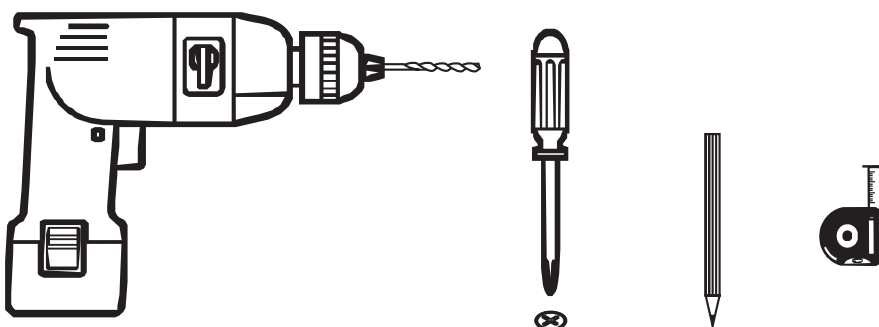
### SAFETY GUIDE

1. When assembling, it is forbidden to stand underneath the screen to avoid any hazard. Expansive bolt should be firmly punched and fixed into the wall or ceiling.
2. Be sure the screen is connected with grounded outlet to avoid any possibility of electric shocking.

### REMARK

1. Do not run the screen continuously over 4 mins (Overheat protection feature would stop the motor in case of overheat. You may operate the screen again after the motor cooled down in about 20 minutes).
2. Do not scratch or fold up the fabric.
3. After usage, please check and confirm the cleanness of the screen, surface before retracting the fabric.
4. Matte white surface is washable with a soft towel moistened with water or weak alkaline detergent diluted liquid (Do not use alcohol or ether liquid to wash).

Parts	Ash	Impurity
Casing	Rid the little dusty with feather duster	Clean with a mild soap solution, then dry with cotton cloth, take care to avoid casing scratching
Fabric	Clean the dusty with feather duster	Brush the dirty with cotton cloth



# SCREEN CARE

## **WARNING!**

Do not touch the screen directly with your hand, skin grease will cause damage to the screen coating. Avoid sharp objects from directly touching the screen surface to avoid puncturing or scratching the screen surface.- Do not use acetone, benzene, alcohol, etc. to clean the screen with organic solvents, which will cause permanent damage to the screen. Avoid scratching the screen surface, which will cause irreparable damage

## **Short-throw Fabric:**

For general dust, use a soft brush to clean the screen surface.

Use soft cloth to dip with mild soapy liquid or neutral detergent.

Rough object or cloth may damage the screen surface.

Screen surface has optical textures, please wipe the horizontal direction when cleaning the fabric; do not wipe it vertical direction or revolve.

Wet cleaning: with a soft towel moistened with water or diluted detergent (Do not use alcohol).Compressed gas duster is recommend.

## **Acoustically Transparent Fabric:**

Compressed gas duster is recommend.

Dust off the screen with a dry rag. Do not use wet cloth, detergent, etc. to wipe the dust on the curtain surface.

## **Long-throw Fabric:**

Surface can be cleaned as follows:

1.Using a white clean cloth(100% cotton preferred) that is dampened with clear water, gently wipe the area in one direction. Do not use a circulate motion. Using a fry 100% cotton cloth ,wipe dry after each cleaning and before folding and storing.

2.To clean a stubborn stain or sticky surface, use denatured alcohol(methanol or methyl alcohol) following he same procedure as for water.

OR.

1. Lint-Free white cloths, Mild Soap (hand soap is suitable) and Water.

2. Take the Lint-Free cloth and submerge it in warm water for cleaning light dust and dirt. For stubborn stains or a sticky surface, a solution of mild dishwashing liquid diluted with warm water should be used.

3. Completely ring out the cloth so it is lightly dampened, not drenched.

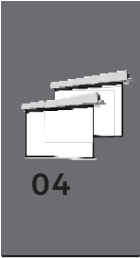
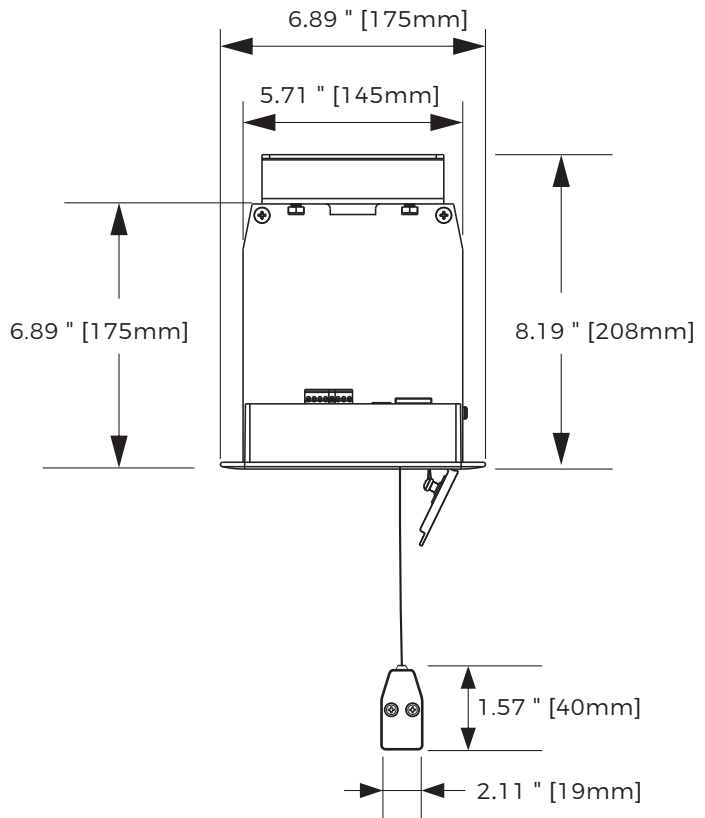
4. Using the damp cloth, lightly wipe in an up and down motion starting at the left of the screen moving to the right of the

screen. DO NOT WIPE IN CIRCULAR MOTION.

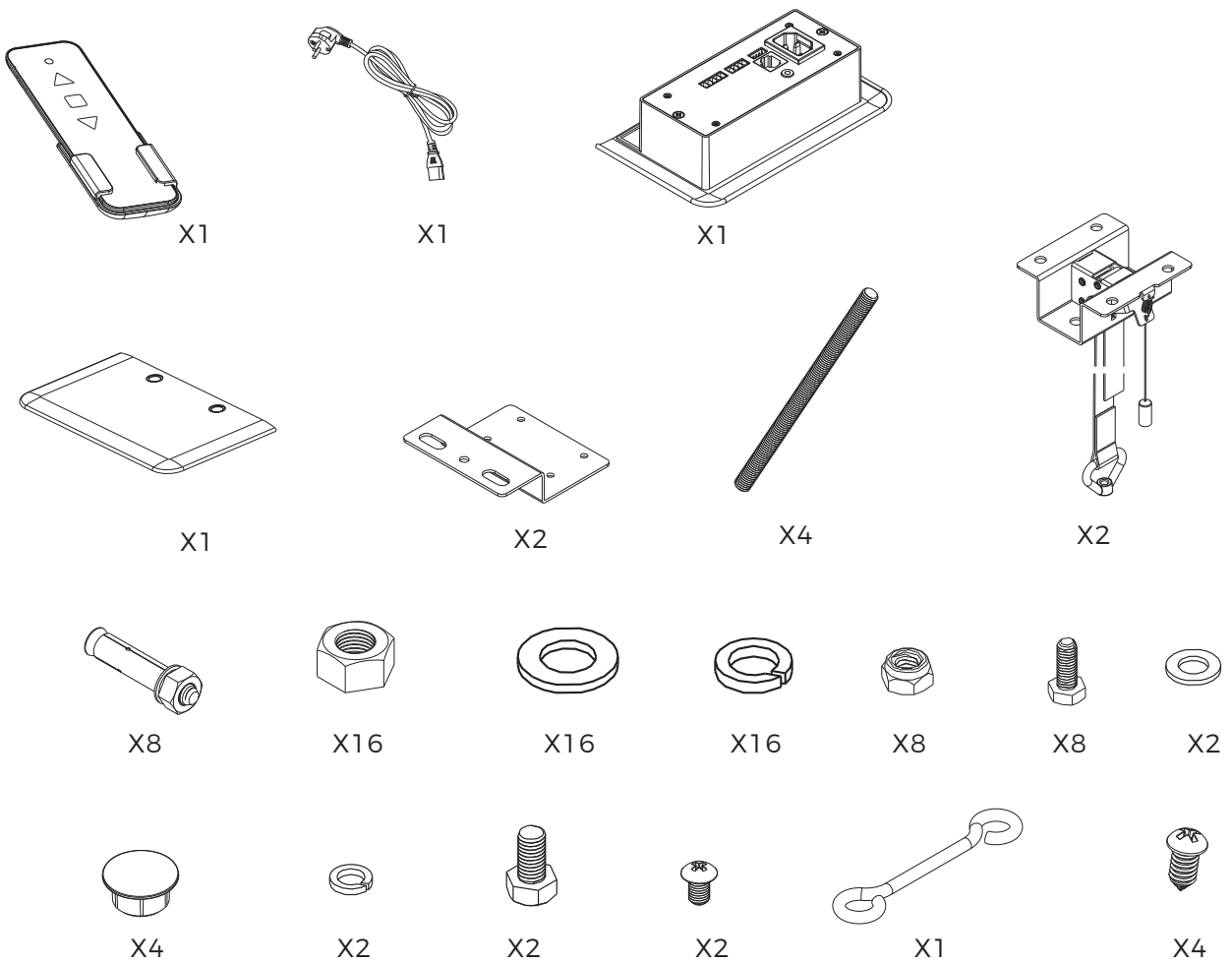
5. Once you have completed wiping the entire screen with a dampened Lint-Free cloth, use the dry Lint-Free cloth to wipe off any excess water from the screen.

## **Standard Fabric:**

Using a white clean cloth (100% cotton preferred) that is dampened with clear water, gently wipe the area in one direction. Do not use a circular motion. Using a dry 100% cotton cloth, wipe dry after each cleaning session. To clean a stubborn stain or a sticky surface, use denatured alcohol (methanol or methyl alcohol) following the same procedure as for water.



## PARTS



# INSTALLATION PREPARATION

## STEP 1. Identify the proper location to install the screen in the ceiling.

- (1) Measure the screen length (A)
- (2) Make an opening in your ceiling of the following size: (A + 170mm) as Figure 4.
- (3) Measure the distance(H) from the ceiling to the suspended ceiling (Figure 2)

Note: Expansion screws/anchors are needed depending on the ceiling material. Always ensure that the ceiling can support the weight of the screen.

\*Specifications are subject to change without notice.

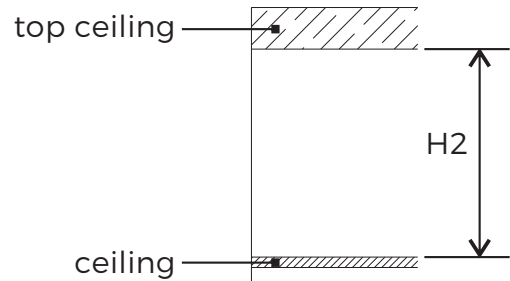


Fig2

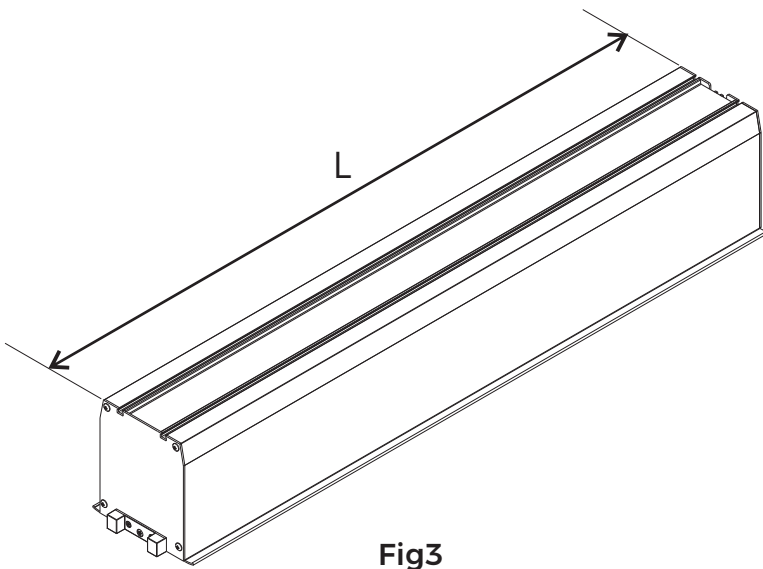


Fig3

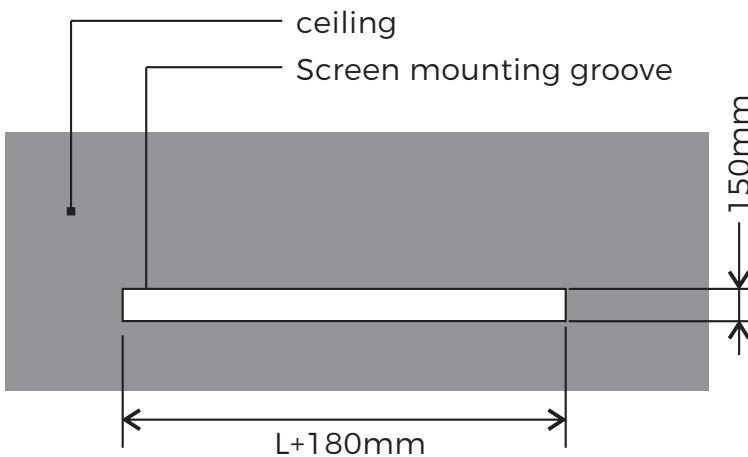


Fig4

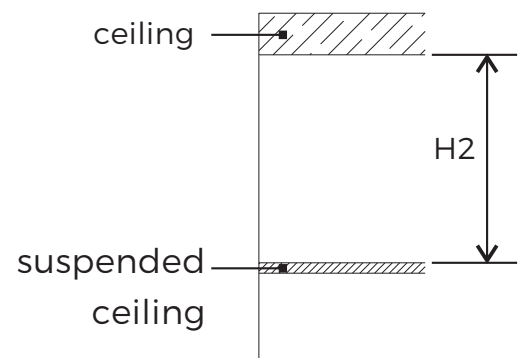
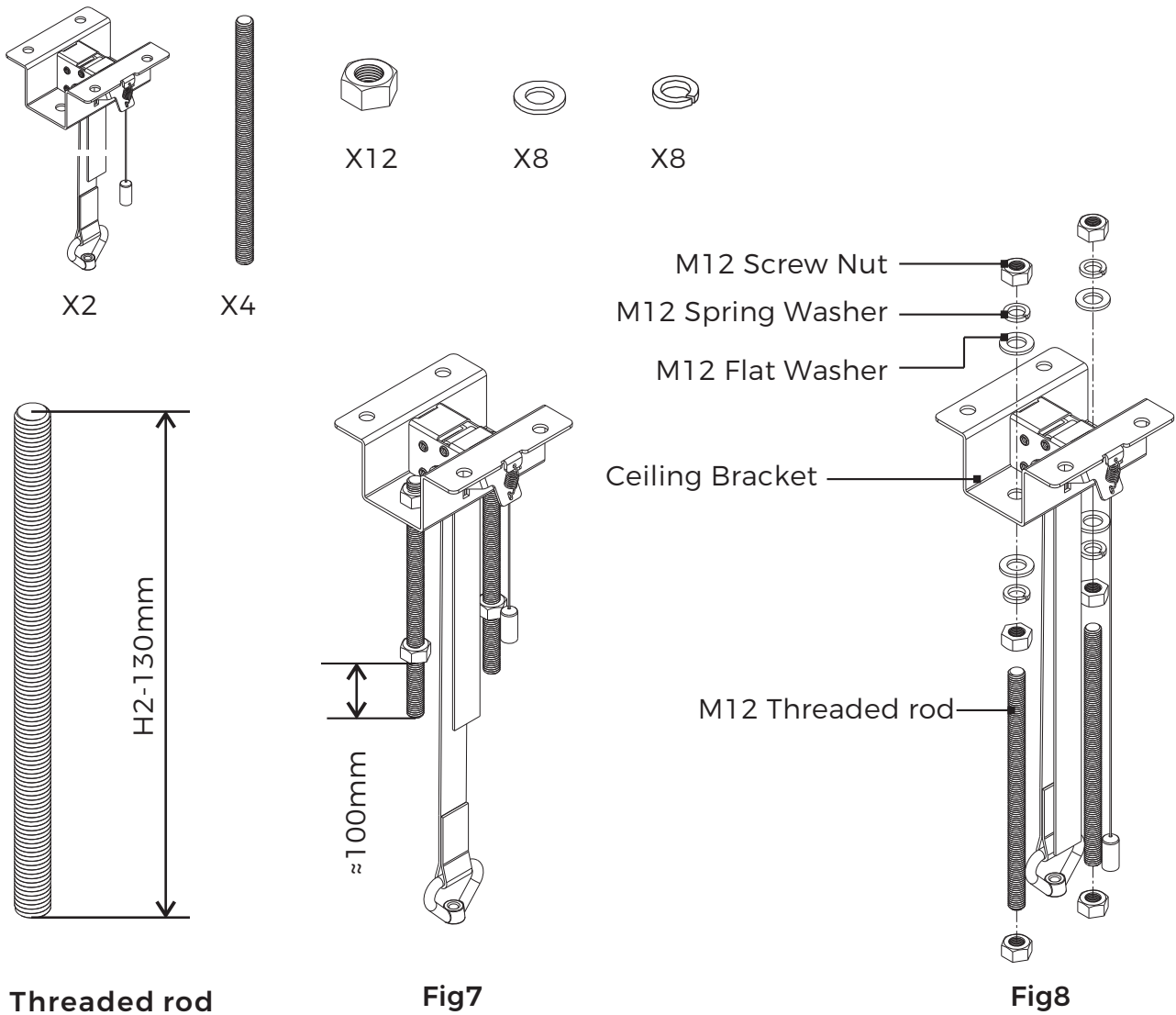


Fig5

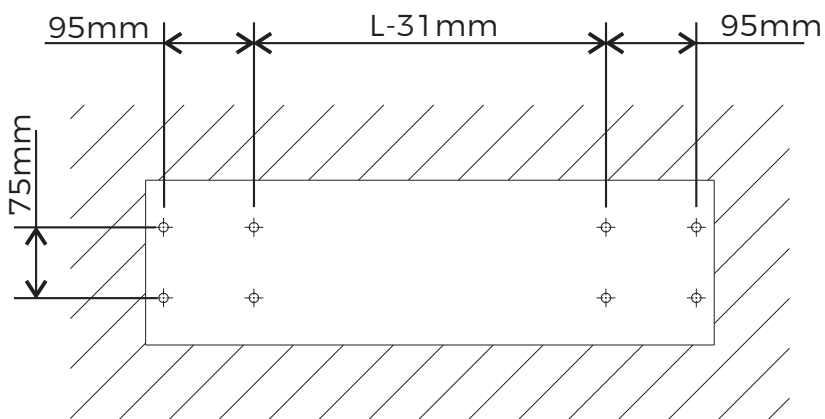
## STEP 2. Assemble the ceiling bracket

(1) Cut the threaded rod to a suitable length(=H2-130mm)

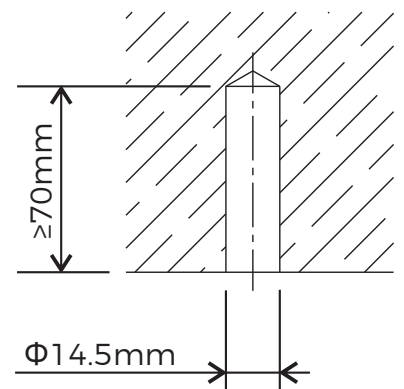
(2) Connect the screw to the bracket and tighten the screw (Figure 7/8)



(3) Drill mounting corresponding holes to install using expansion bolt (Figure 9/10)



**Fig9**



**Fig10**

(4) Fixed the bracket to the ceiling (fig11/fig12)

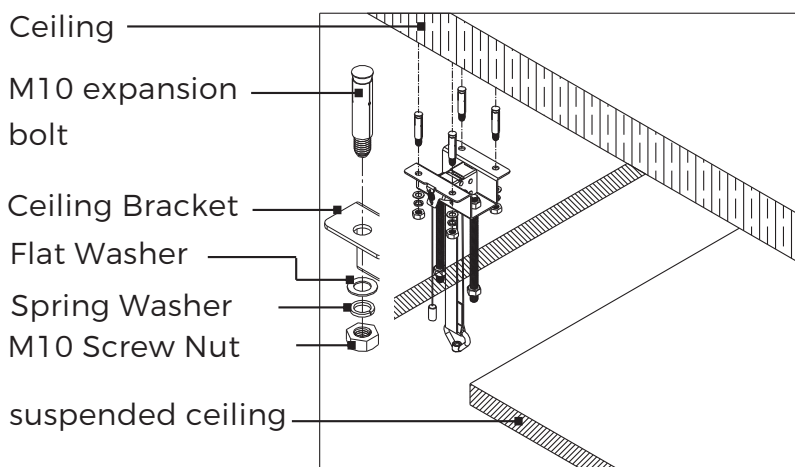
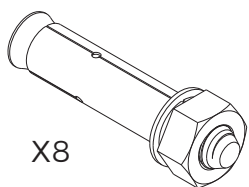


Fig11

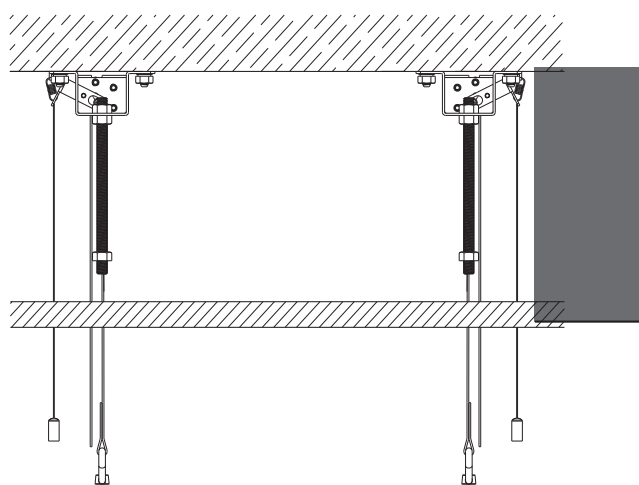


Fig12

## Assemble the Components

### STEP 3. Assemble the cabin door

- (1) Manually open the cabin door
- (2) Insert the lock pin into the drive belt and screw the lock pin into the lock pin rack
- (3) Remove the lower bar screws as shown below.(fig14)

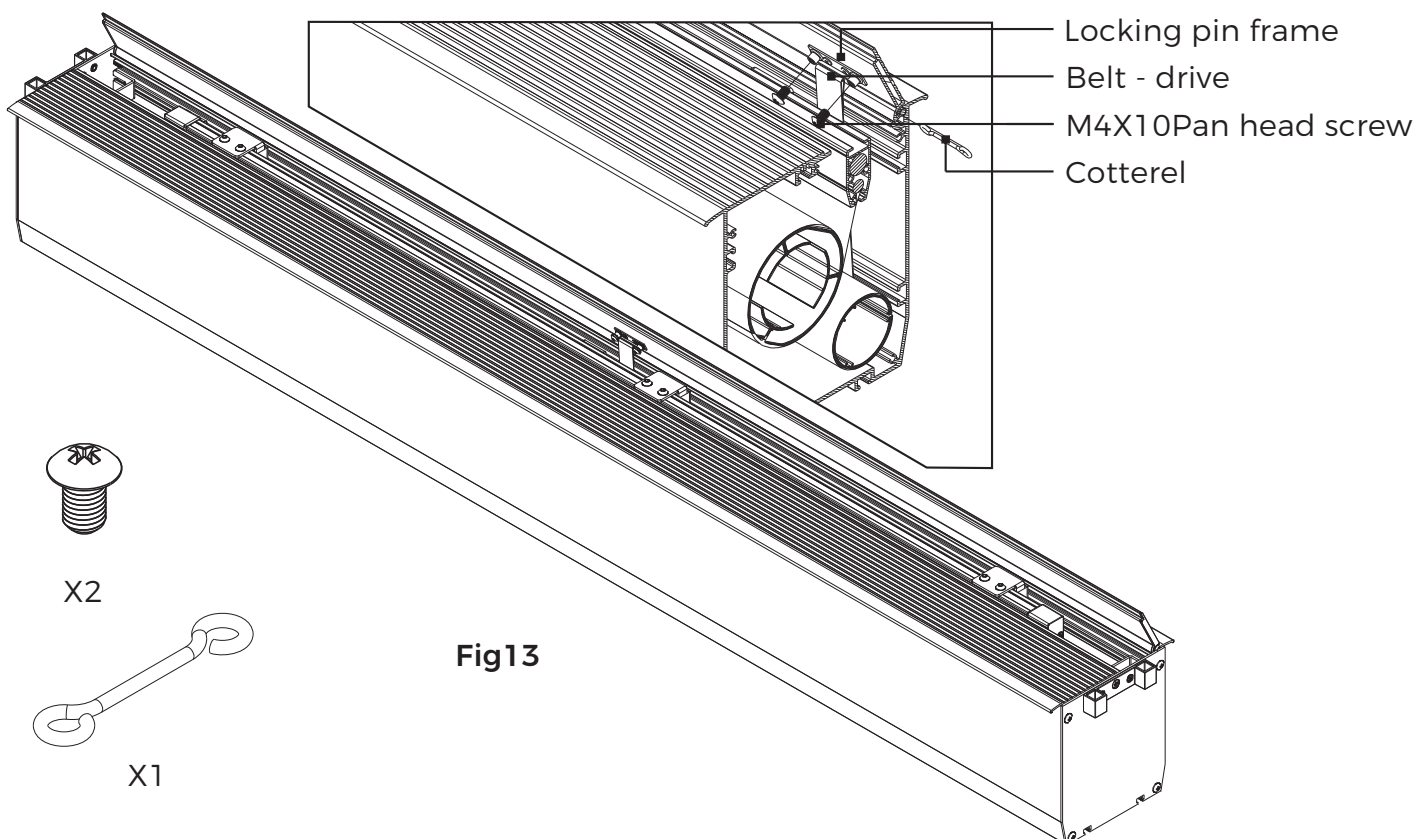


Fig13



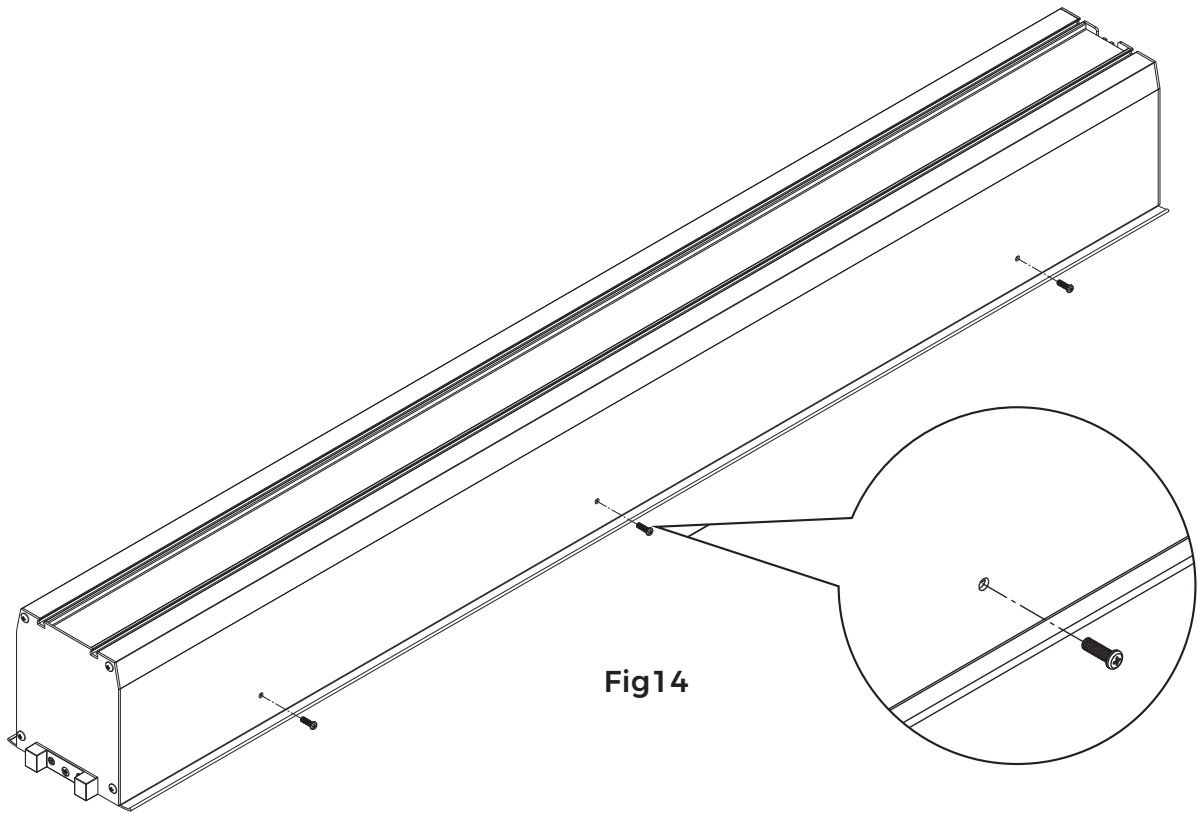


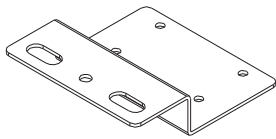
Fig14

#### STEP 4. Assemble the hanging brackets

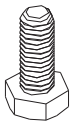
- (1) Slide 4 of the screws (M6X12) into the rail located on top of the screen.
- (2) Install the hanging bracket (A2) and tighten the bracket nuts(M6)(Fig16/17).
- (3) Attach the ceiling brackets to the hanging brackets using the screws, nuts and washers provided.



X8



X2



X8

M6X12 Hexagon Screw

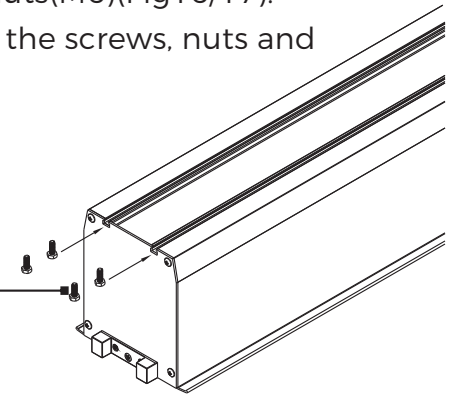


Fig15

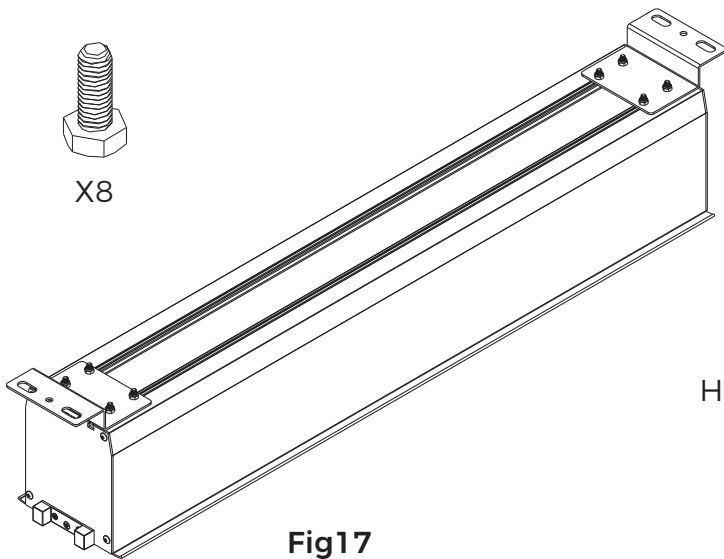


Fig17

M6 Nut

Hanging Brackets

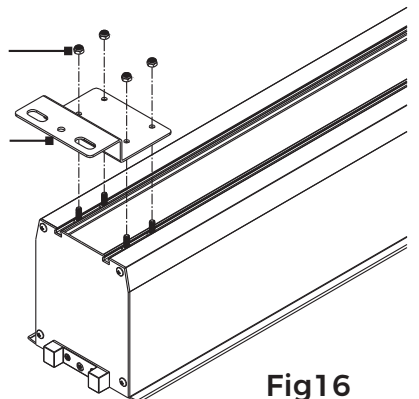
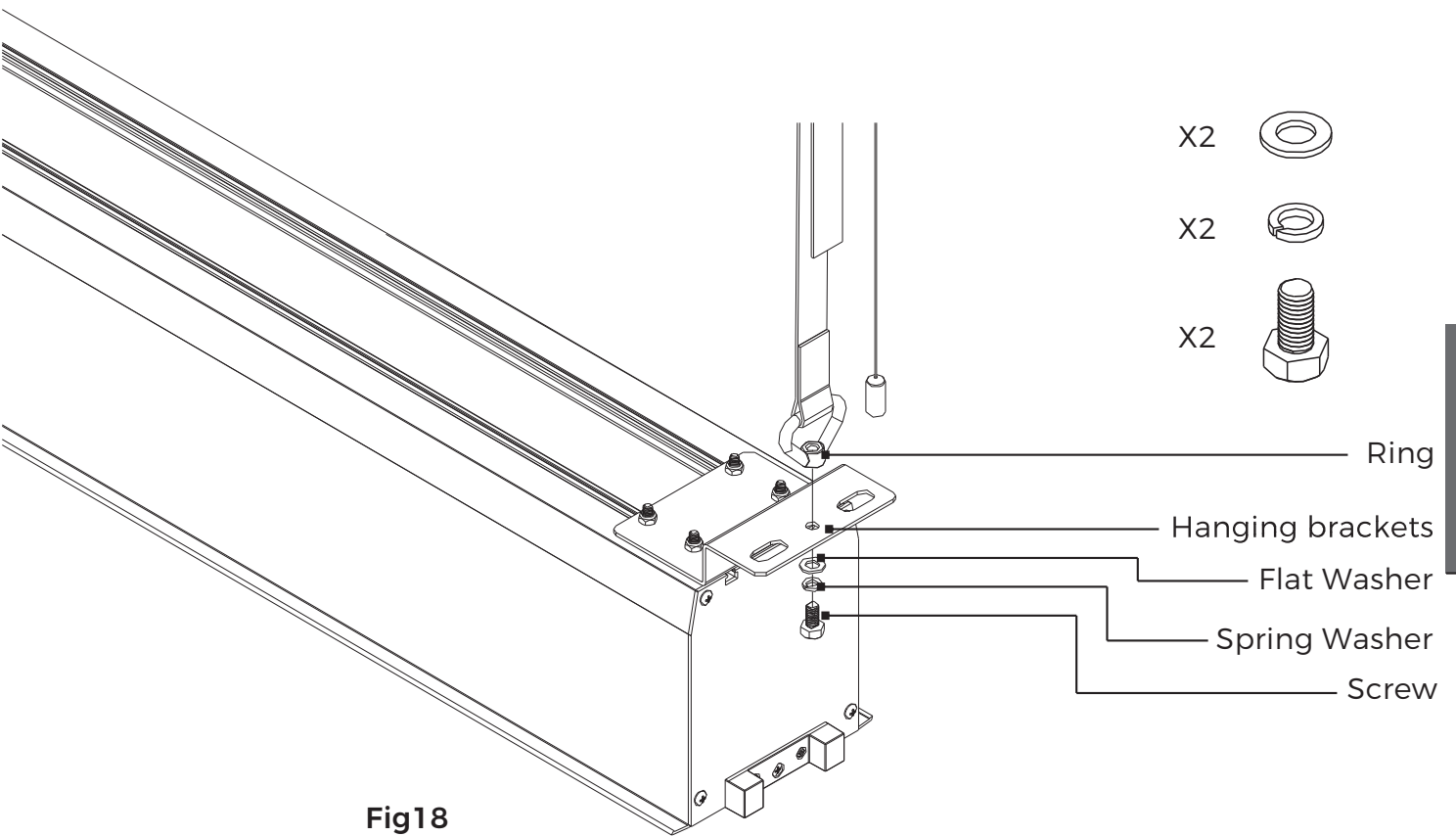


Fig16



## STEP 5. Use the lifting gear

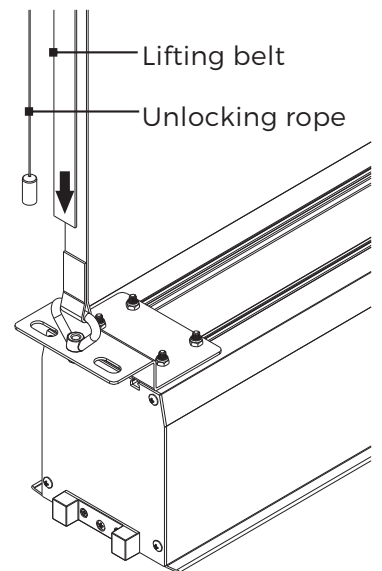
### A. Pull up:

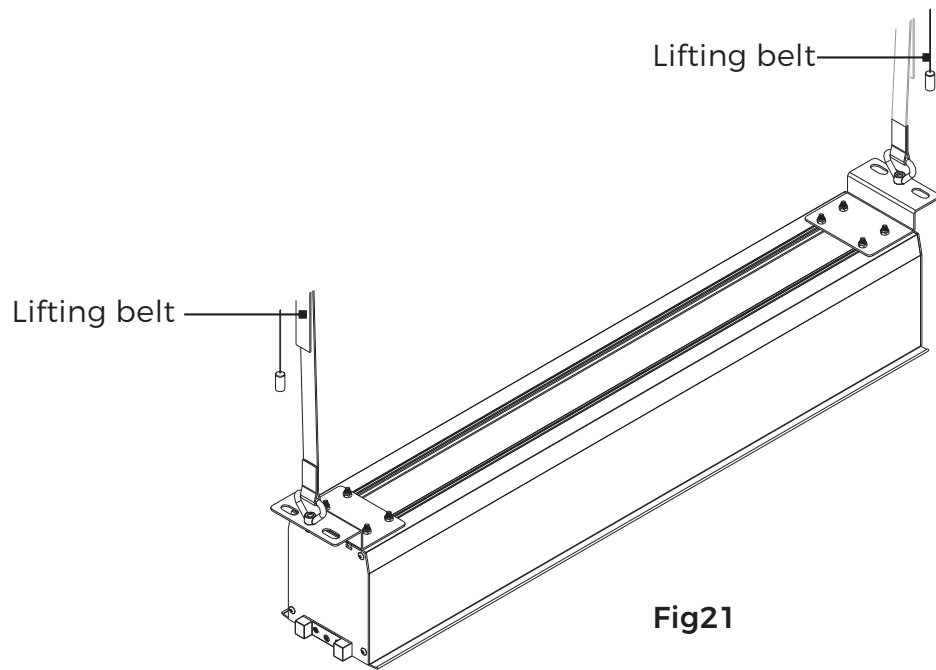
Pull down the lifting belt forcefully and pull down the screen to rise synchronously. After pulling it to the predetermined position, let go slowly to prevent the lifting belt from slipping and causing the screen to fall. In the process of pulling up, if you feel that it cannot be pulled down, you need to pull down the unlocking rope first and then start to pull up. Be careful not to let go of the lifting strap when pulling the release cord to prevent the screen from falling straight down.

### B. Drop down:

If you need to lower the screen during installation, first pull the lift belt then pulls the release cord down and the lift belt descends with the gravity of the screen. Be careful not to let go of the lifting strap when pulling the release cord to prevent the screen from falling straight down.

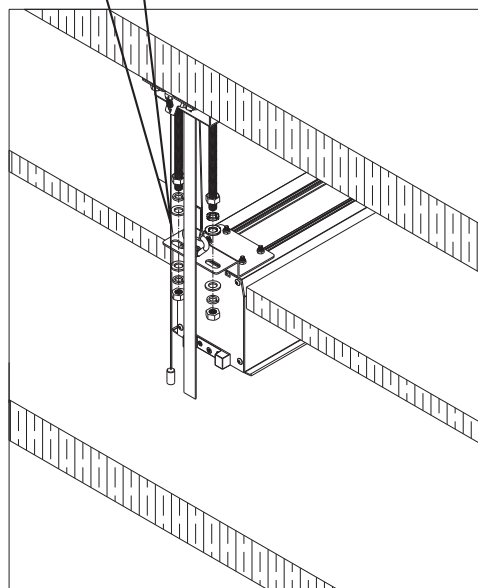
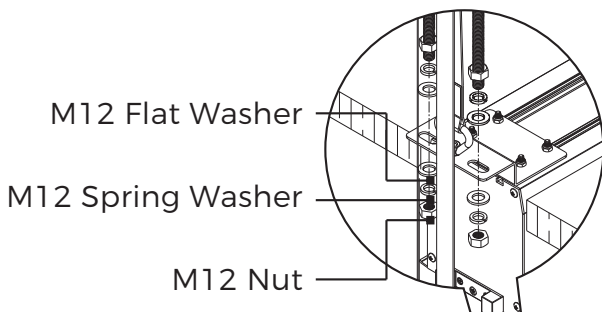
\* Pull the lifting belt to lift the screen, and ensure that both sides of the screen rise synchronously during the lifting process



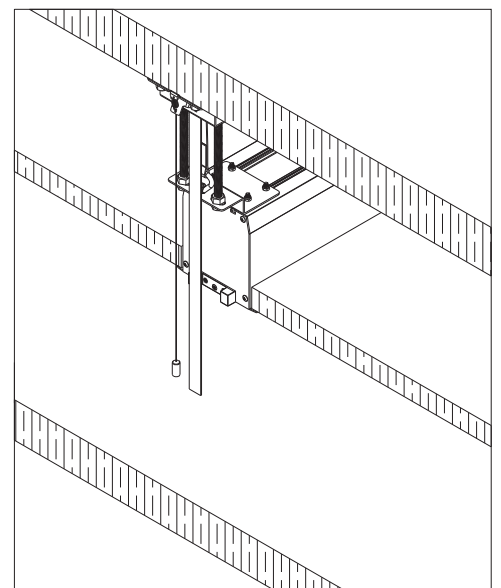


**Fig21**

After the screen hanging bracket is aligned with the screw, screw in the nut, adjust the height of the nut to adjust the gap between the edge of the screen and the ceiling, and then lock the nut. After tightening the nut, coil up the lifting strap and unlocking rope and place it on the ceiling next to it.



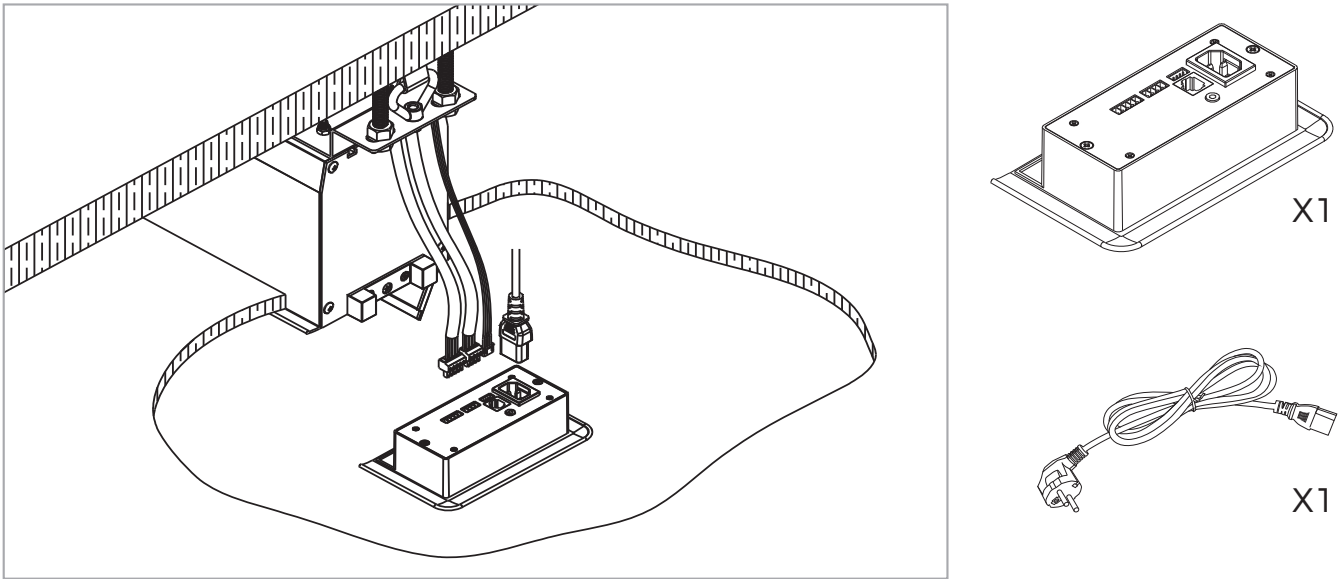
**Fig22**



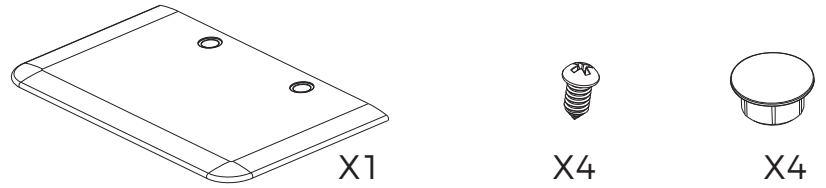
**Fig23**

**STEP 6. Connect the power plug and motor terminal as shown**

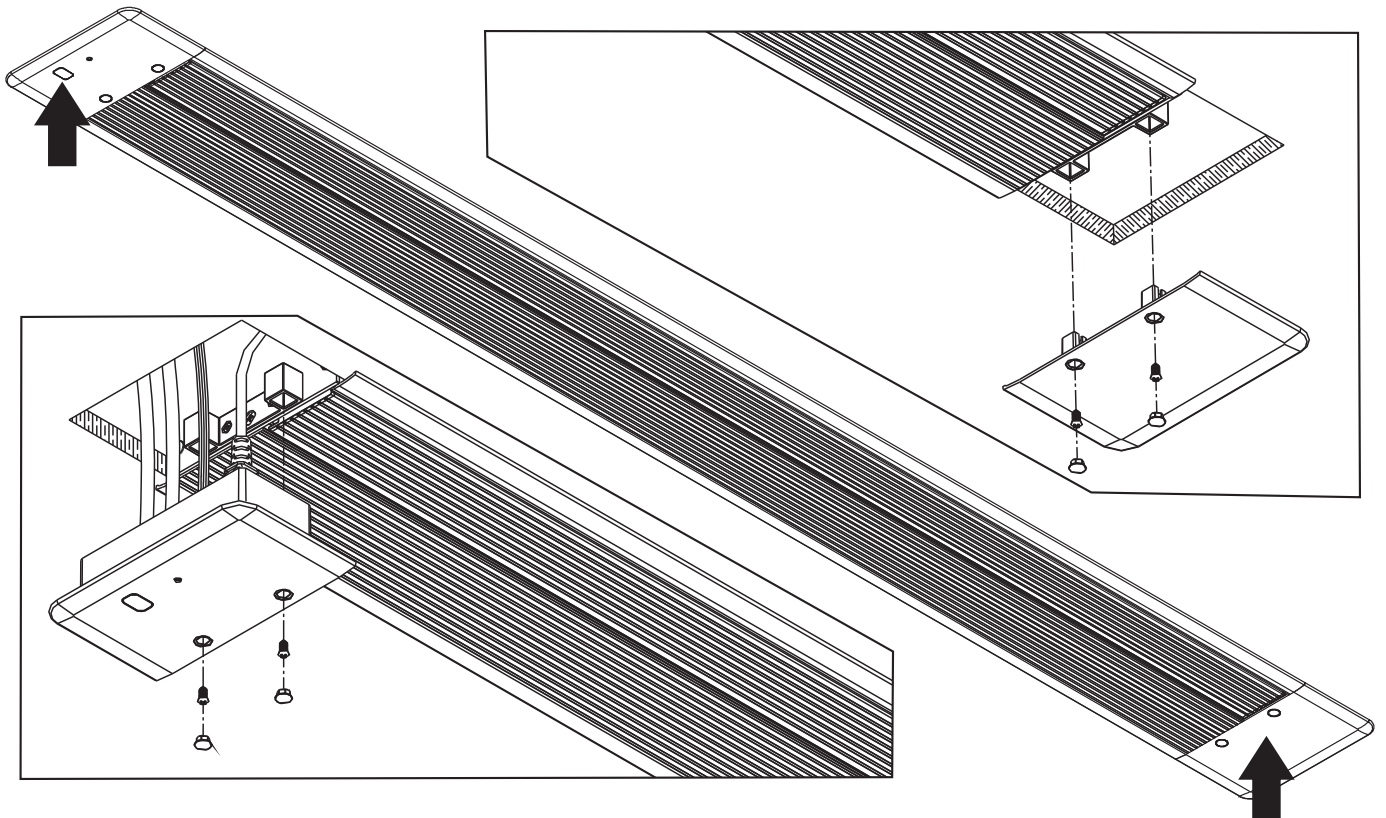
**Fig24**

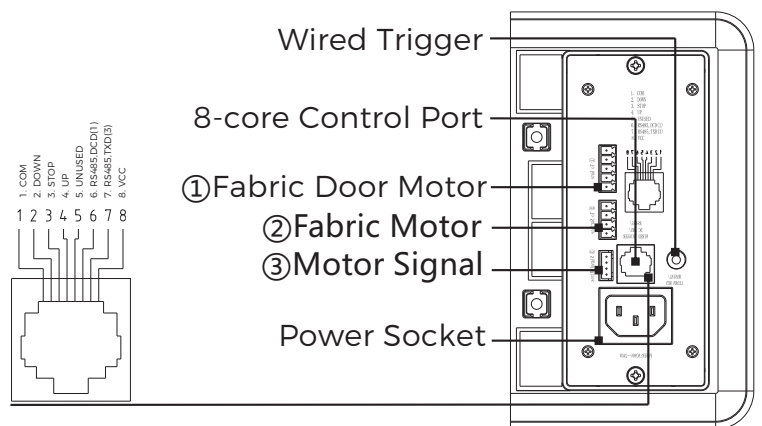
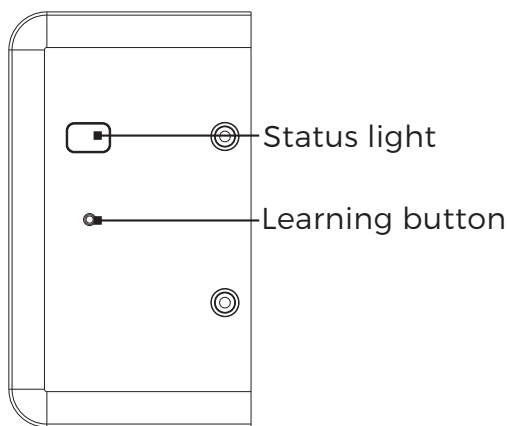
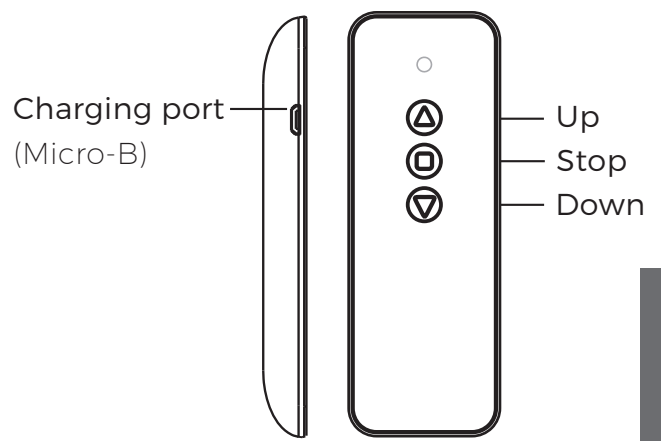


**STEP 7. Clip in the plastic screen flanges with screws and screw covers.**



**Fig25**





## ADJUSTMENT AND USAGE

### Adjusting Limit Switches

#### **Warning:**

We only recommend for professionals to undertake the limit adjustment (have been pre-set before leaves the factory). The warranty does not cover the after-sales problems caused by this.

If adjustment is necessary, please contact the dealer!

#### **Attention:**

Long press the Learn Button will cause the screen to reverse UP and DOWN function. If mis-operation, pressing and hold the Learn Button (on the end cap surface) for 1 minute to recover.

#### **CHILD LOCK function:**

1. Protection function: When you operate the projection screen runs down/up 3 times (uninterrupted), the CHILD LOCK function is activated, the screen cannot be operated temporarily for about 15 minutes.
2. Exit/Debugging: Turn the screen power off and on again (unplugging and plugging back the power), and the control part enters the normal use state.
3. This function is set to prevent accidents caused by humans or children playing, cannot be turned off.



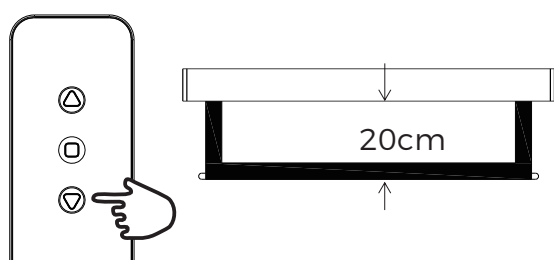
**Disconnect the ①Fabric Door Motor before adjusting the UPPER/LOWER limit. Please ignore if no requirements are needed.**


Attention: Limit switches are located inside the housing. The limit switches should only be adjusted with the provided adjustment tool.

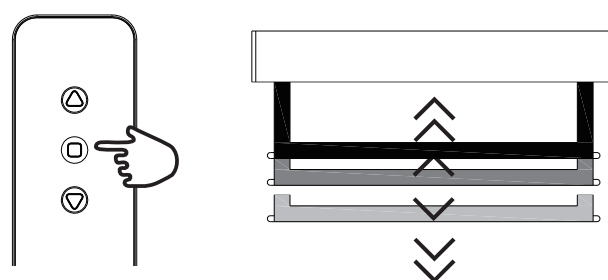
## UPPER LIMIT Position


NOTE: the upper limit does not need to be adjusted as it is pre-set from the factory.

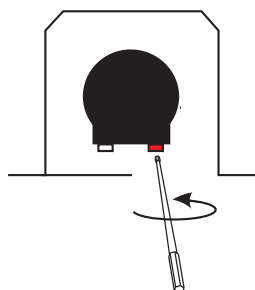
**We do not recommended to make adjustments(only if necessary)**





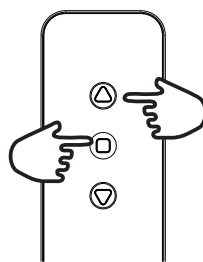
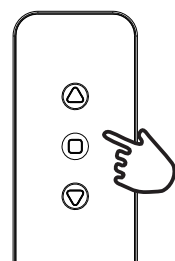
① Press  DOWN button to drop the screen surface about 20CM before operation.





② Press the  STOP button for about 5 seconds, the screen will run up and down once, process stand by.

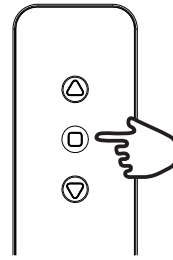
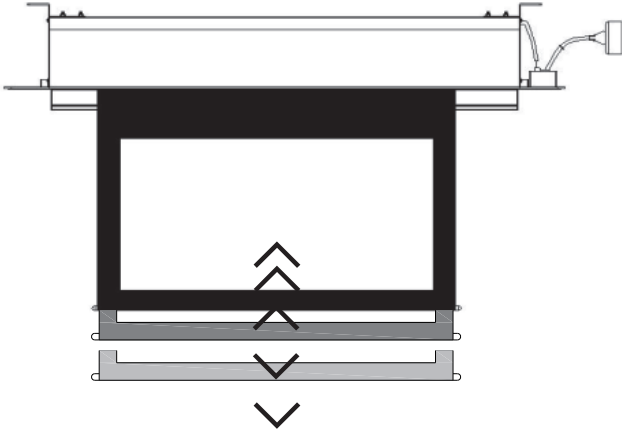



③ Turn the switches (Clockwise to increase the; Counterclockwise to reduce) while use the  UP/  DOWN button to adjust the lower bar to the to the ideal position.

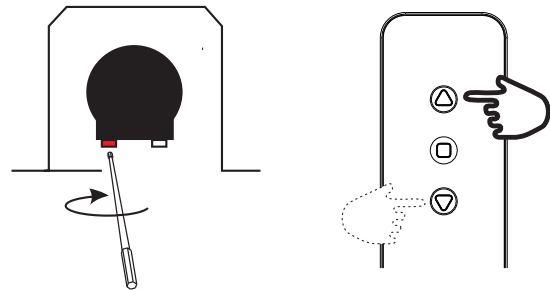




④ Press  +  simultaneously until surface run down, then up once, process complete.

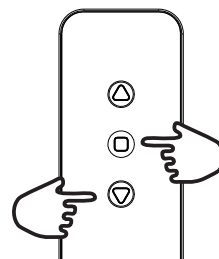
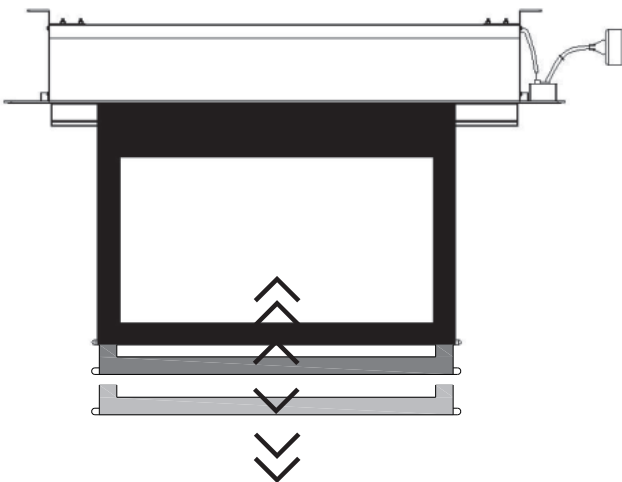
## LOWER LIMIT Position


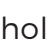


① Press the  STOP button for about 5 seconds, the screen will run up and down once, process stand by.

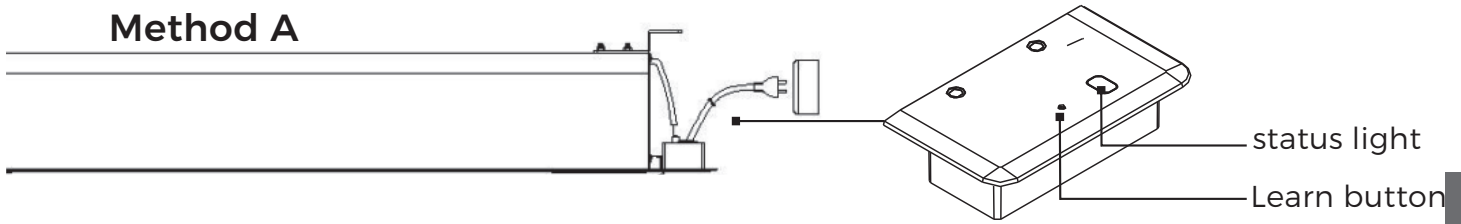


② Turn the switches (Clockwise to increase the; Counterclockwise to reduce) while use the  UP/  DOWN button to adjust the upper black border to the ideal position.




③ Press and hold the  STOP+ DOWN button simultaneously until the surface run down, then up once, process complete.

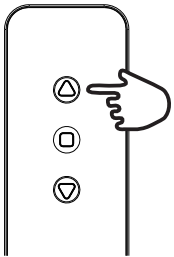
### Method A







It is the remote pairing status once motor connect to the power within 20 seconds.

- ① Power on(status light flash)
- ② Press the  for about 5 seconds, the surface will appear down and up once.
- ③ Status lights out, process complete.

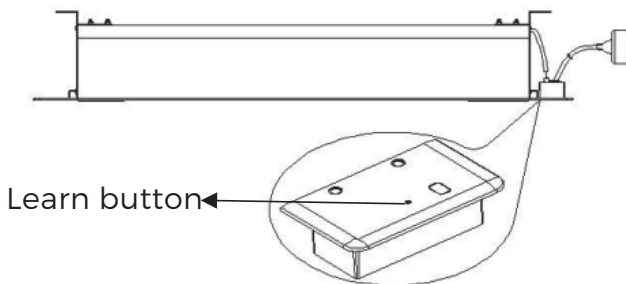
### Method B



- ① Press and hold the Learn button on the end cap for about 5 sec until the surface run down and up once(status light flash 20sec)
- ② Press the  for about 5 seconds, the surface will appear down and up once.
- ③ Status lights out, process complete.

Please test on (operates the remote control screen   ) after adjustment, repeat the steps if need.



### Resetting Remote Control

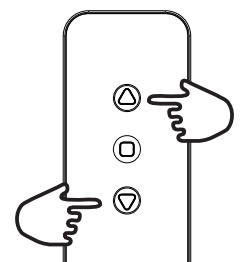


- ① Press and hold the "Learn" button, the screen will go  $\uparrow/\downarrow$  twice, release and clicking the "Learn" button once more afterward.
- ② Press the "Learn" button one more time the LED light go off, process complete.

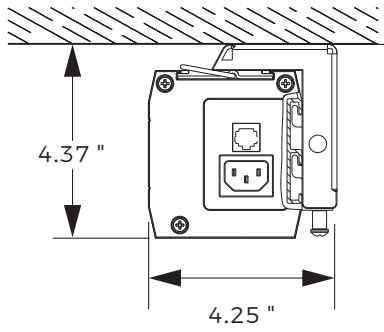
### Reset | restore factory settings position



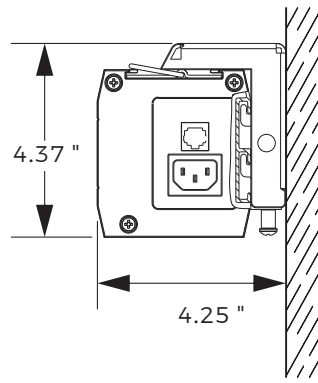
- ① Press and hold  +  at the same time for about 5 sec, release until the surface retracts, and the fabric door closes automatically



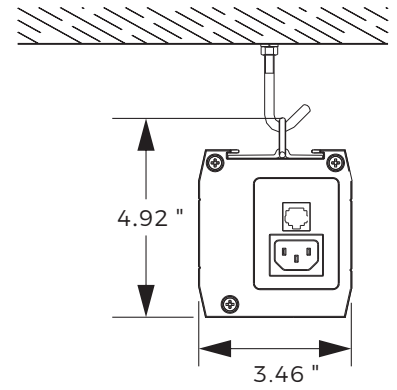




Ceiling Mount

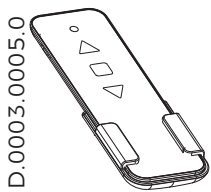


Wall Mount



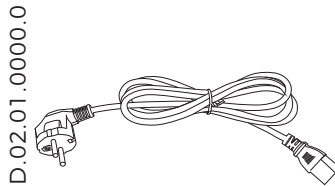
Hoisting

## PARTS



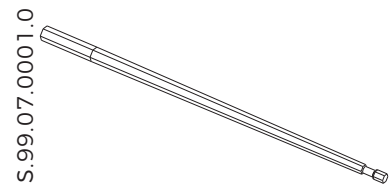
D.0003.0005.0

X1



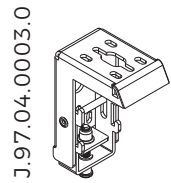
D.02.01.0000.0

X1



S.99.07.0001.0

X1



J.97.04.0003.0

X2



B.33.050300.6

X10



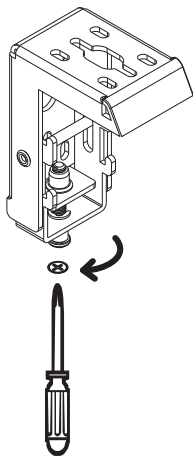
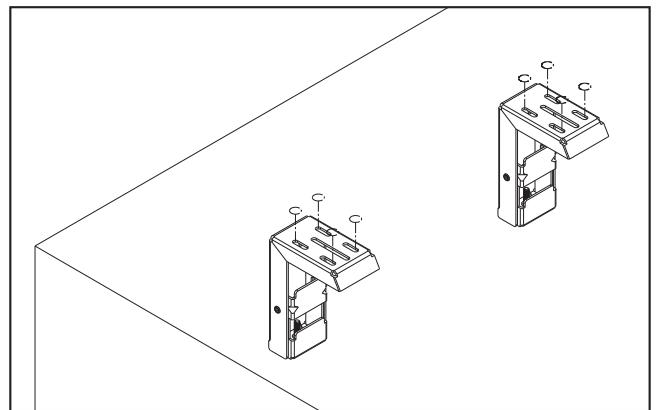
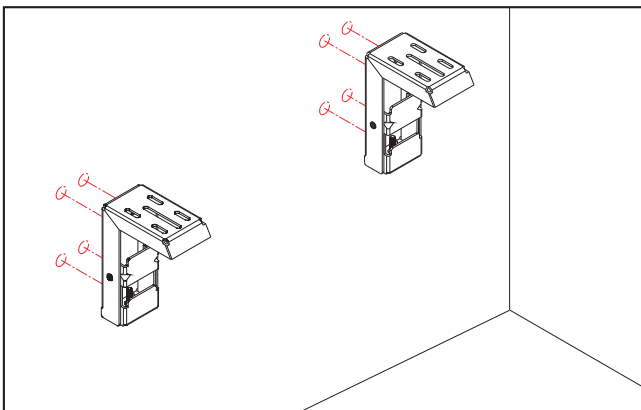
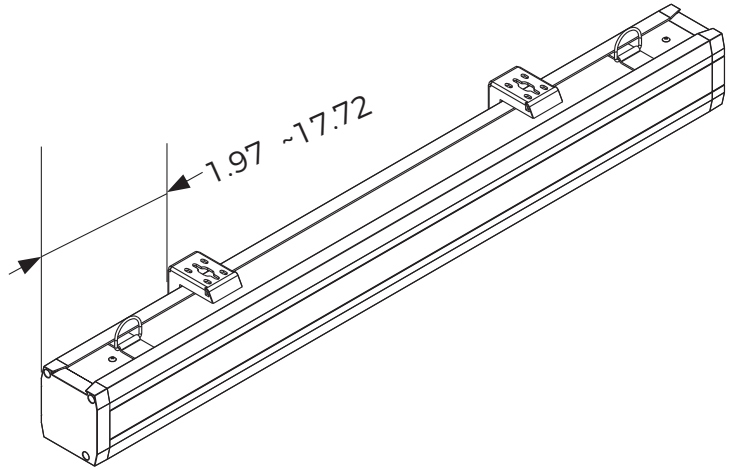
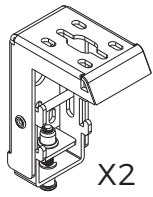
B.99.008000.0

X10

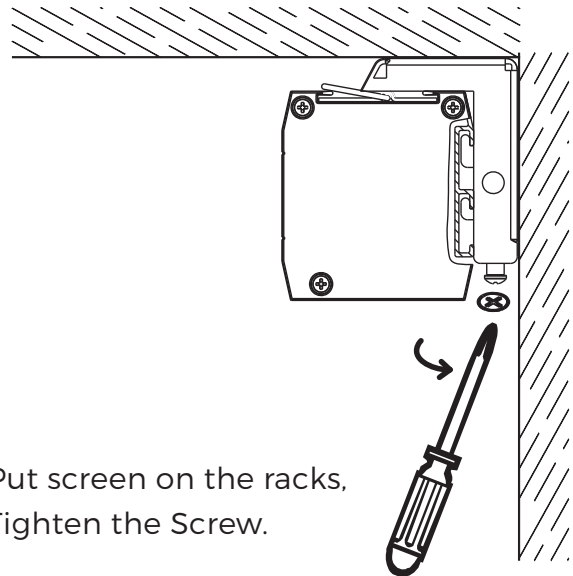


# INSTALLATION

## A.Wall Mounting/Ceiling Mounting

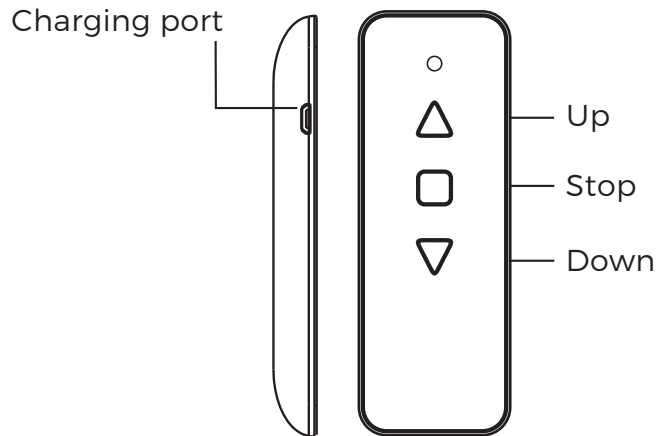


Looseing the screw

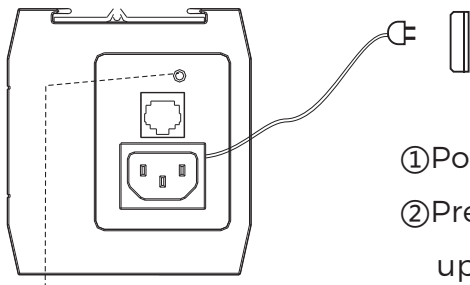


Put screen on the racks,  
Tighten the Screw.

# ADJUSTMENT AND USAGE



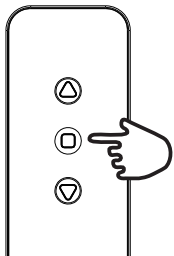
## Method A. Power on:



Learning button

- ① Power on for to learn (status light flash 20sec)
- ② Press the for about 5 seconds, the surface will appear down, up once.
- ③ status lights out, process complete.

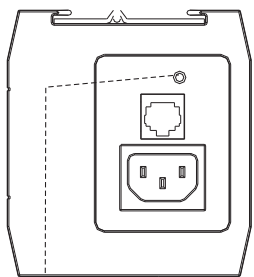
## Method B. Press the Learn button:



- ① Press and hold the Learn button for about 5 sec until the surface run down and up once (status light flash 20sec)
- ② Press the for about 5 seconds, the surface will appear down, up once.
- ③ status lights out, process complete.

Please test on (operates the remote control screen ) after adjustment, repeat the steps if need.

## Clearing the Memory

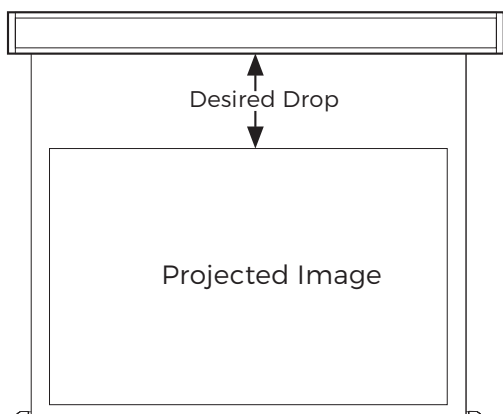


Learning button

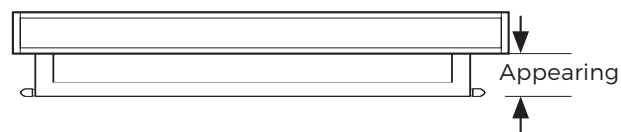
- ① Press and hold the "Learn" button, the screen will go  $\uparrow/\downarrow$  twice, release and clicking the "Learn" button once more afterward.
- ② Press the "Learn" button one more time the LED light go off, process complete.

## Fabric Position

What is Lower Limit? (extend height)



What is Upper Limit?(retract height)



**DO NOT SET UPPERHER THAN DEFAULT!**

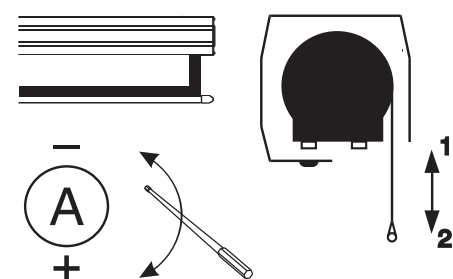
### A. UPPER LIMIT Position

When the fabric drawing back and the bottom weight bar isnot in the right place, please insert the adjusting stick intothe hole "A" :

I. Decrease for screen retract height:Counterclockwise rotate adjusting stick towards" 1"direction

II.Increase for screen retract height:Clockwise rotate adjusting stick towards "2"direction

UPPER LIMIT



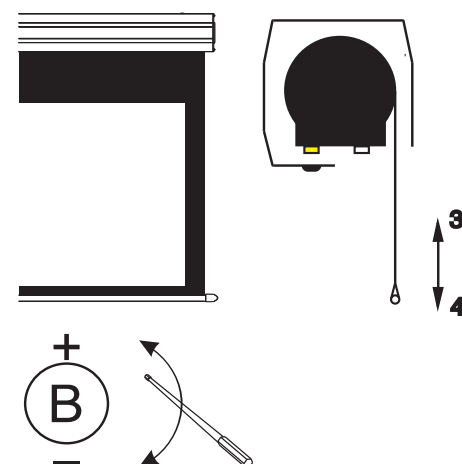
### B.LOWER LIMIT Position

When the fabric is completely opened up, while the upperborder is not in right place, please insert the adjusting stickinto the hole "B":

I. Decrease the upper border:Clockwise Rotate adjusting stick towards "3" direction

II.Increase the upper border:Counterclockwise rotate adjusting stick towards "4"direction

LOWER LIMIT

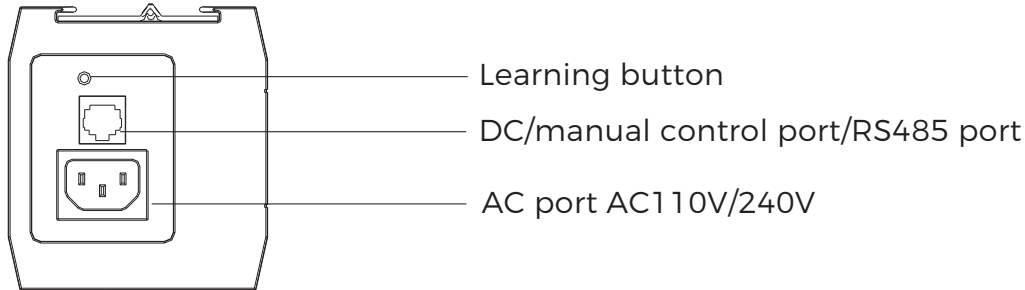


Please test on (operates the remote control screen up and down) after adjustment, repeat the steps if need, until the screen is in the ideal place.

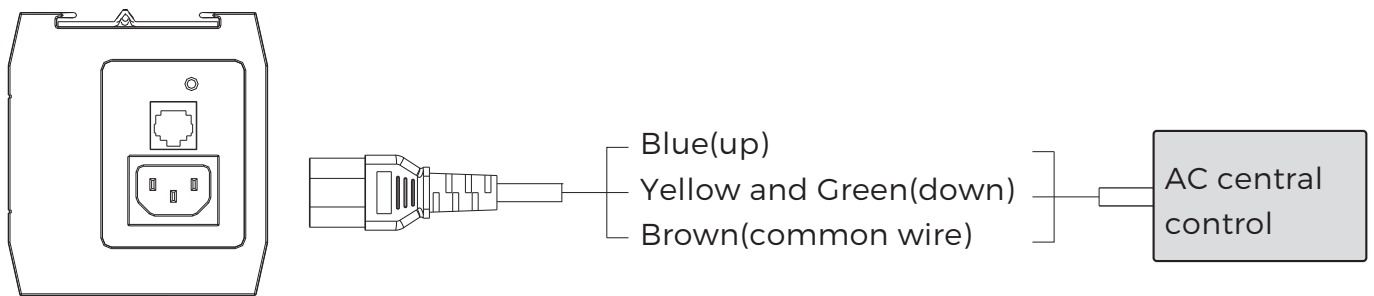
# CONTROL METHODS

## 868 MHz Inner Wireless Control

868 MHz inner wireless control system can be connected to RS 485 control , DC central control (DC5V-12V)and manual control. This device applicable to multi voltage(AC110V- 240V)



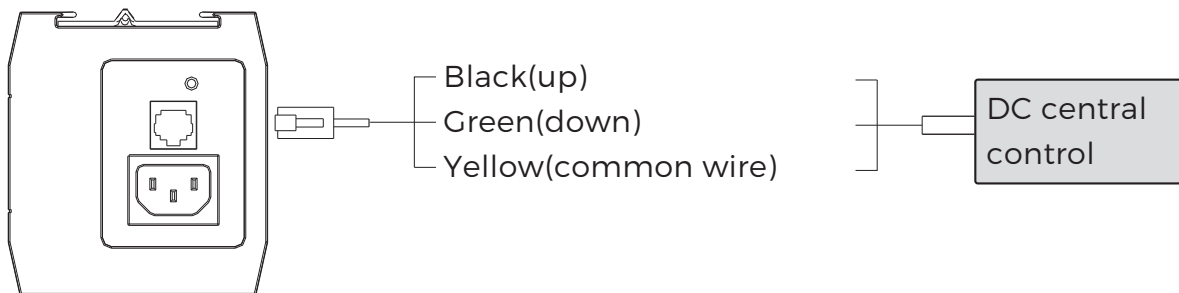
## AC Central Control Circuit Diagram

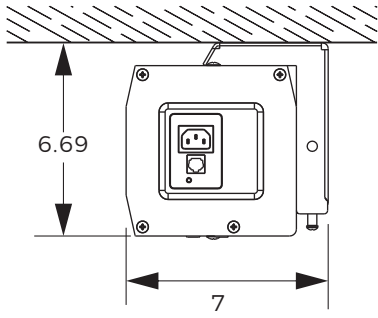


**⚠** NOTE: For your safety, live line(L) control screen up and down, concentric line is neutral line(N).

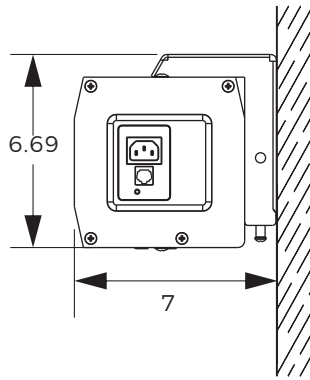
**!** AC central control can't be connected to receiver board.

## DC Central Control Circuit Diagram

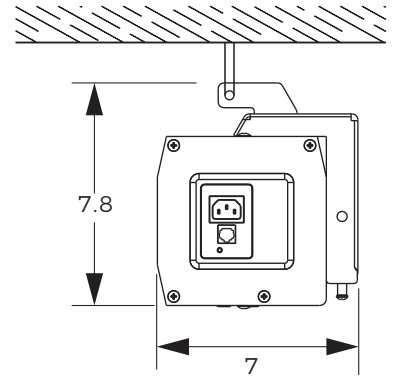




Ceiling Mount



Wall Mount



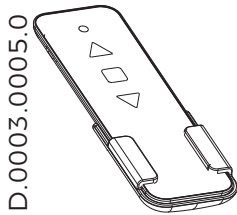
Hoisting

**A**

**B**

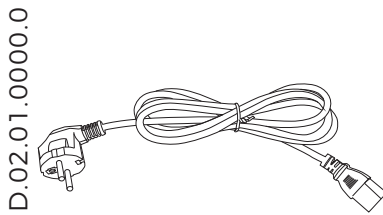
**PARTS**

L series



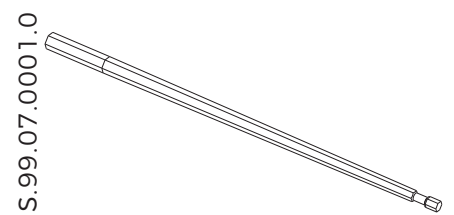
D.0003.00005.0

X1



D.02.01.00000.0

X1



S.99.07.00001.0

X1



B.24.060120.6

X10



B.33.030020.1

X2



B.01.02.00004.0

X10



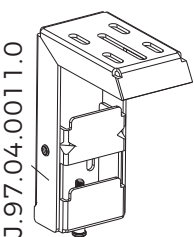
B.01.01.00001

X10



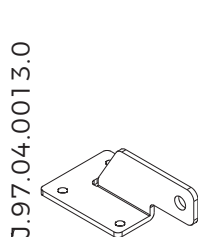
B.99.003020.0

X2



J.97.04.0011.0

X2



J.97.04.0013.0

X2

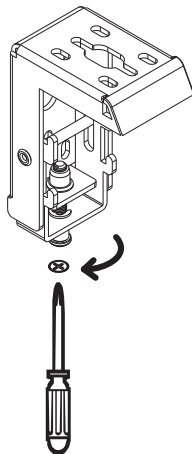
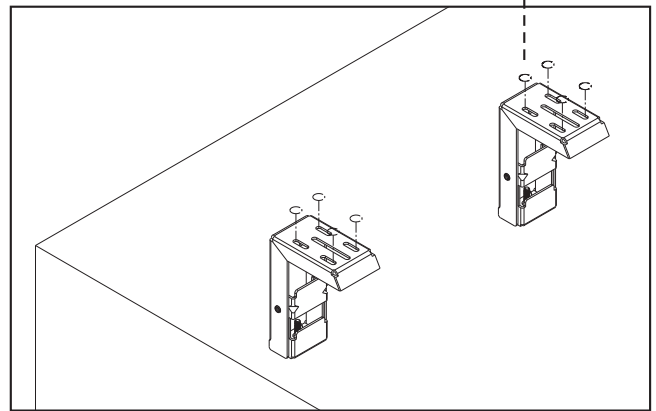
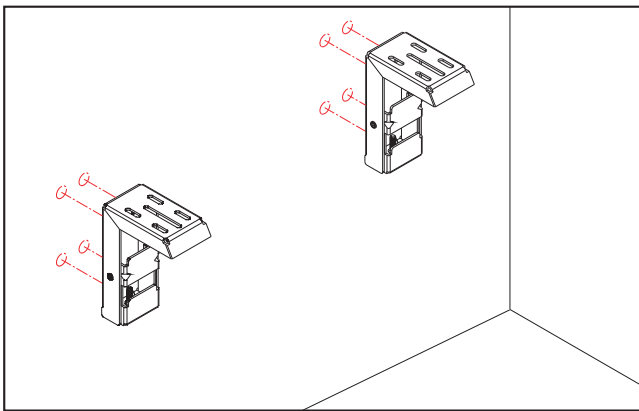
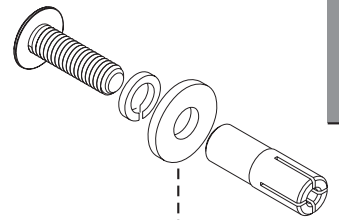
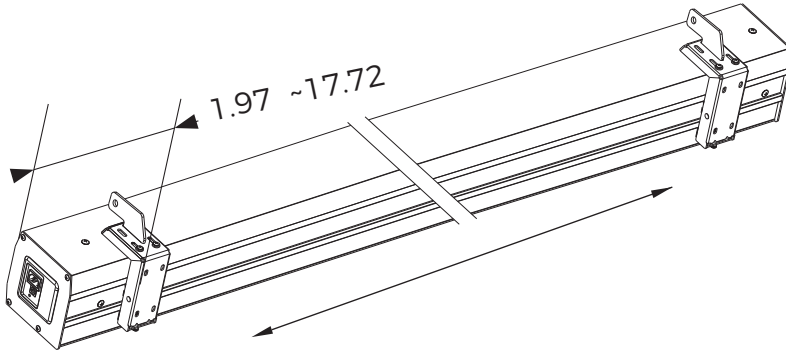
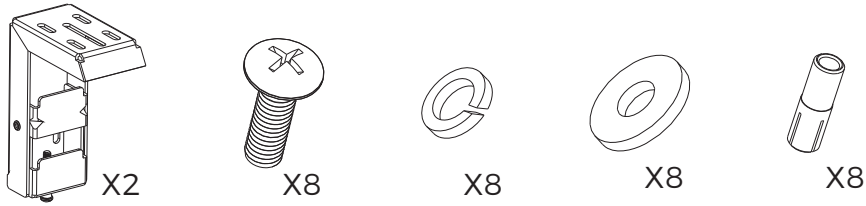


B.99.070003.0

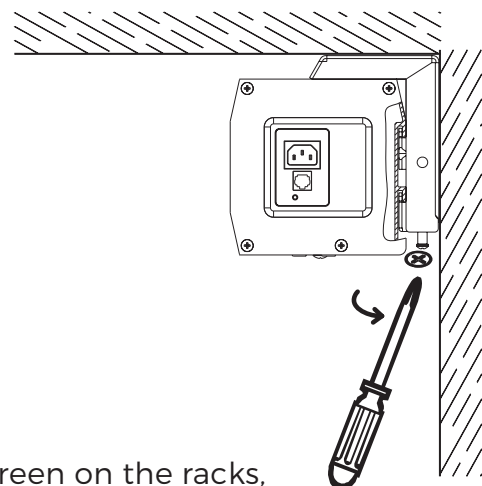
X10

# INSTALLATION

## A. Wall Mounting/Ceiling Mounting

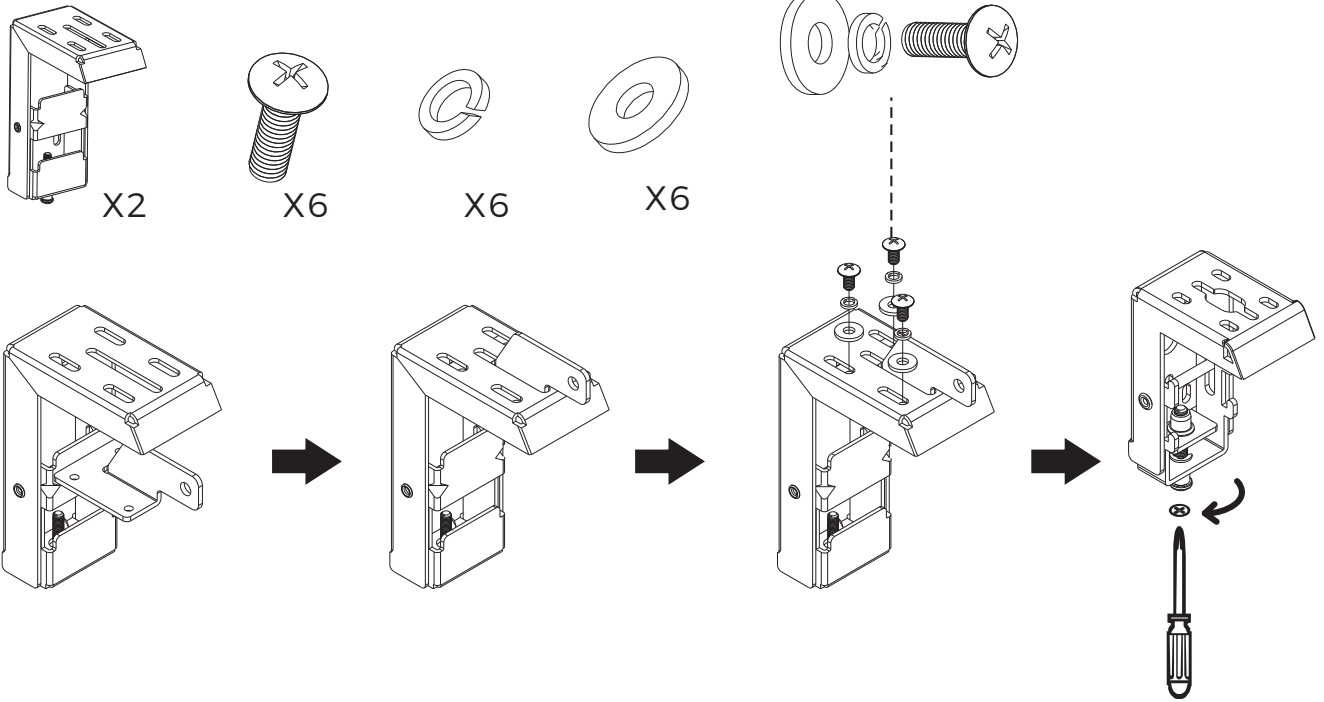


Loosening the screw

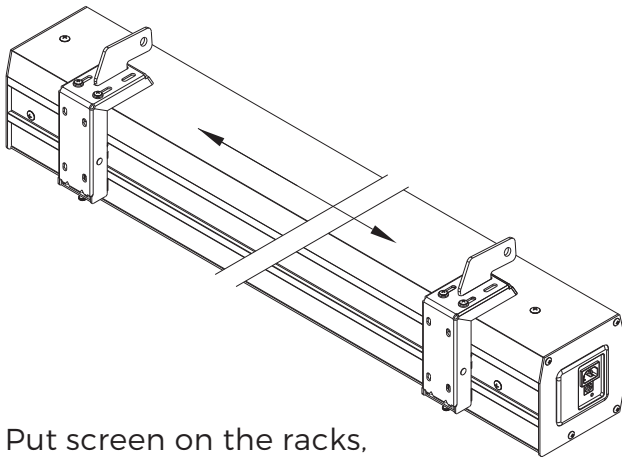


Put screen on the racks,  
tighten the screw.

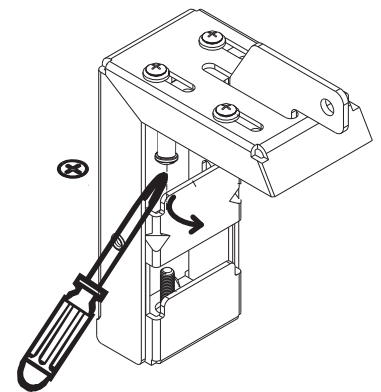
## B. Suspending Installation



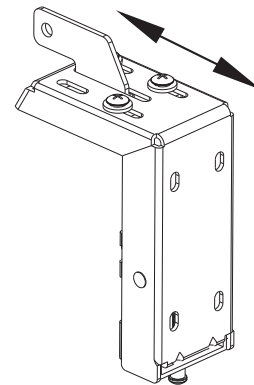
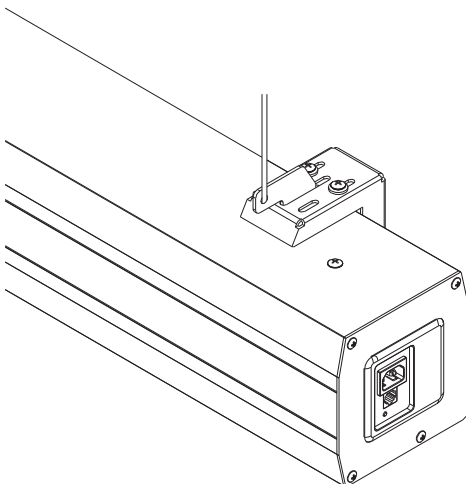
Looseing the screw



Put screen on the racks,  
Adjust screen at the suitable place



Tighten the Screw



NOTE:

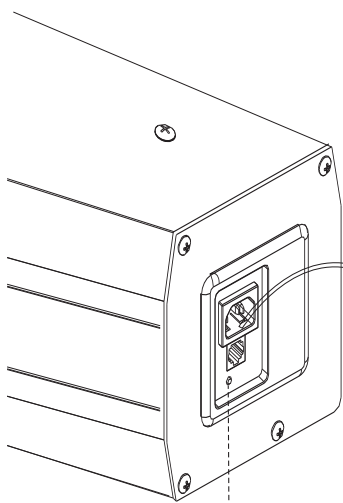


Please keep the screen casing and assembling plates in horizontal direction and install firmly.

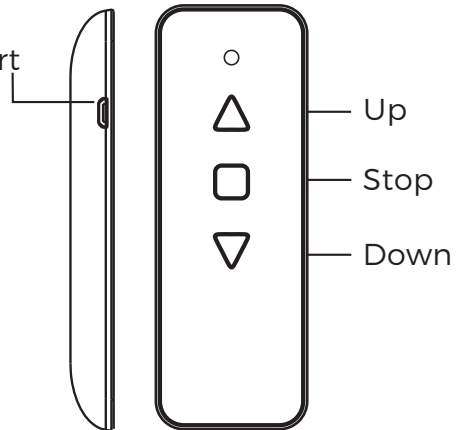


# ADJUSTMENT AND USAGE

## Method A. Power on:



Charging port




Up

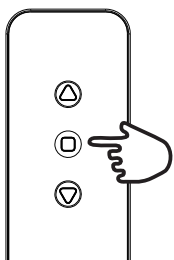
Stop


Down

Learning button

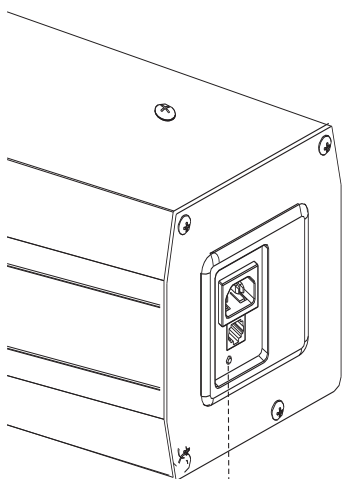
- ① Power on for to learn (status light flash 20sec)
- ② Press the  for about 5 seconds, the surface will appear down, up once.
- ③ status lights out, process complete.

## Method B. Press the Learn button:



- ① Press and hold the Learn button for about 5 sec until the surface run down and up once (status light flash 20sec)
- ② Press the  for about 5 seconds, the surface will appear down, up once.
- ③ status lights out, process complete.

Please test on (operates the remote control screen    ) after adjustment, repeat the steps if need.



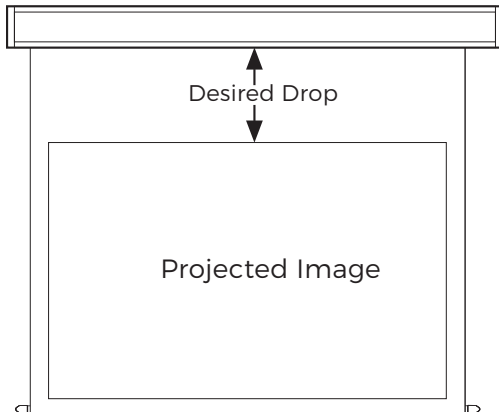
Learning button

## Clearing the Memory

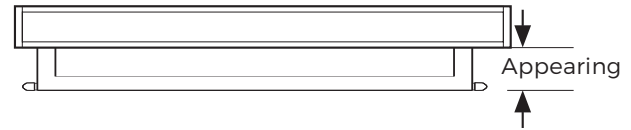
- ① Press and hold the "Learn" button, the screen will go  $\uparrow/\downarrow$  twice, release and clicking the "Learn" button once more afterward.
- ② Press the "Learn" button one more time the LED light go off, process complete.

## Fabric Position

What is Lower Limit? (extend height)



What is Upper Limit?(retract height)



**DO NOT SET UPPERHER THAN DEFAULT!**

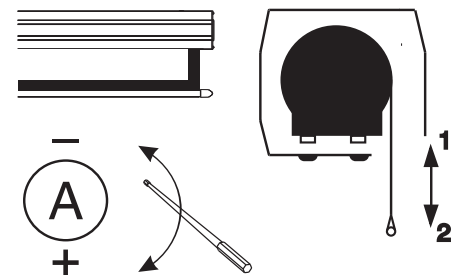
### A. UPPER LIMIT Position

When the fabric drawing back and the bottom weight bar is not in the right place, please insert the adjusting stick into the hole "A" :

I. Decrease for screen retract height: Counterclockwise rotate adjusting stick towards "1" direction

II. Increase for screen retract height: Clockwise rotate adjusting stick towards "2" direction

UPPER LIMIT



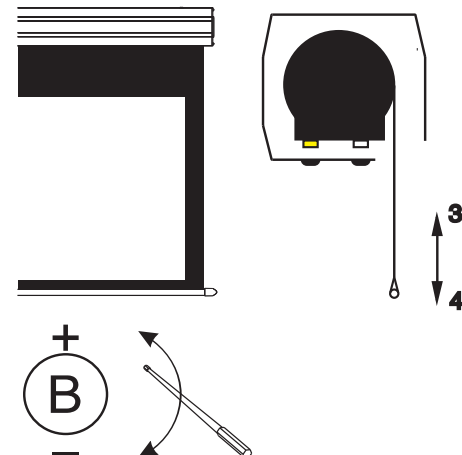
### B. LOWER LIMIT Position

When the fabric is completely opened up, while the upper border is not in right place, please insert the adjusting stick into the hole "B":

I. Decrease the upper border: Clockwise Rotate adjusting stick towards "3" direction

II. Increase the upper border: Counterclockwise rotate adjusting stick towards "4" direction

LOWER LIMIT

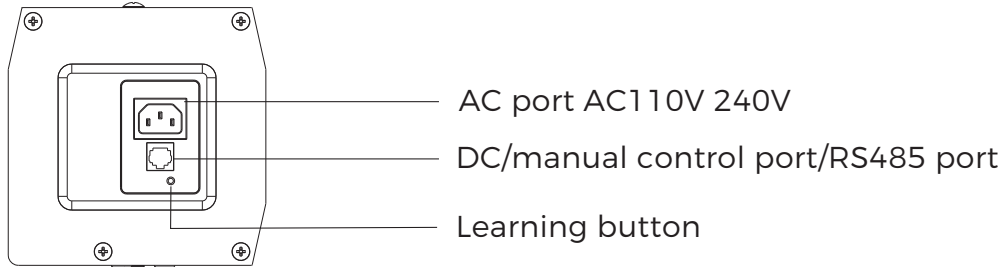


Please test on (operates the remote control screen up and down) after adjustment, repeat the steps if need, until the screen is in the ideal place.

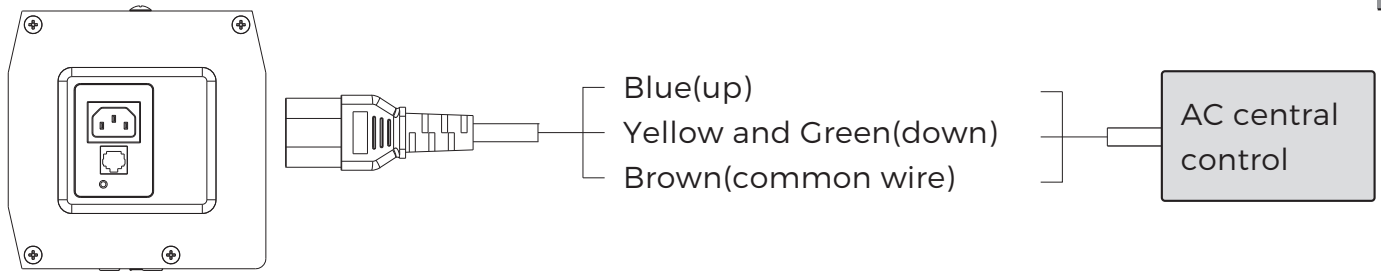
# CONTROL METHODS

## 868 MHz Inner Wireless Control

868 MHz inner wireless control system can be connected to RS 485 control , DC central control (DC5V-12V)and manual control. This device applicable to multi voltage(AC110V- 240V)



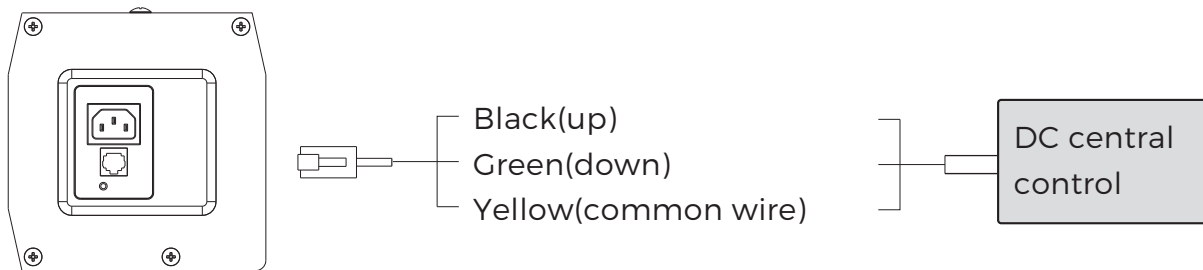
## AC Central Control Circuit Diagram

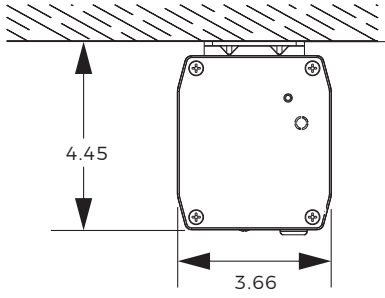


**⚠** NOTE: For your safety, live line(L) control screen up and down, concentric line is neutral line(N).

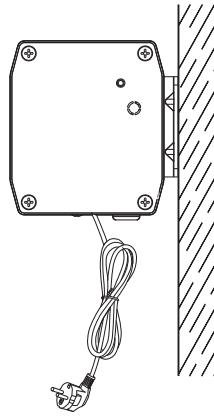
**!** AC central control can't be connected to receiver board.

## DC Central Control Circuit Diagram

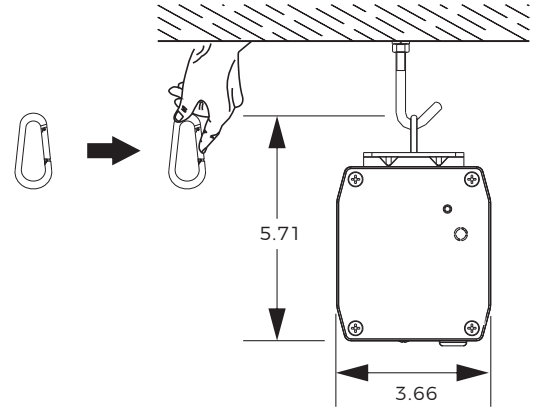




Ceiling Mount



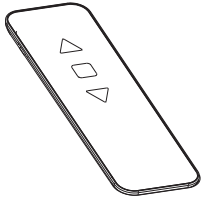
Wall Mount



Hoisting

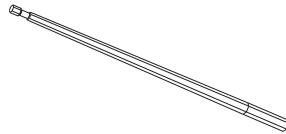
## PARTS

Accessory 3



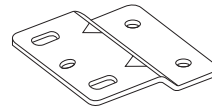
X1

Accessory 4

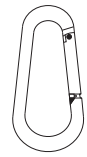


X1

Accessory 5

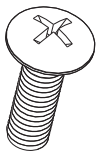


X2



X2

Accessory 6



X4

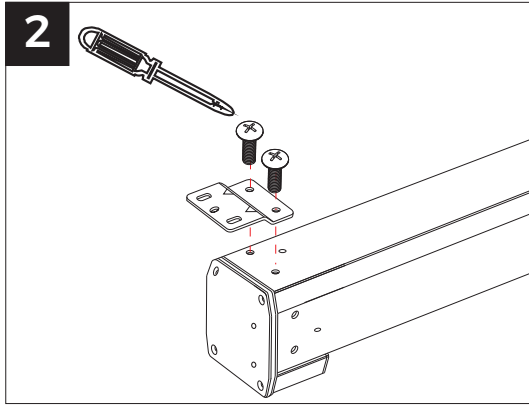
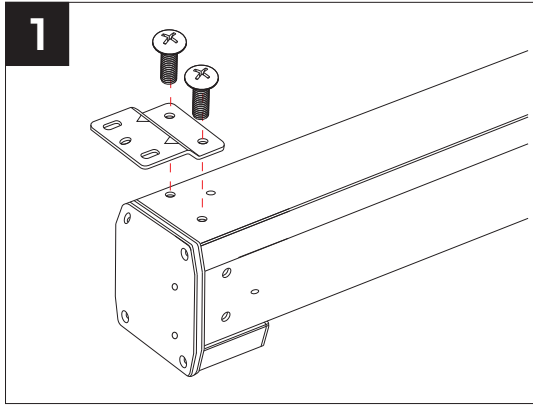
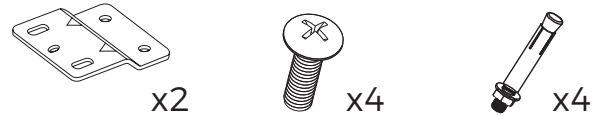
Accessory 7



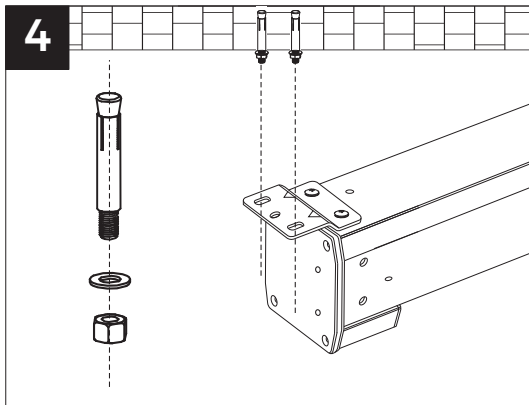
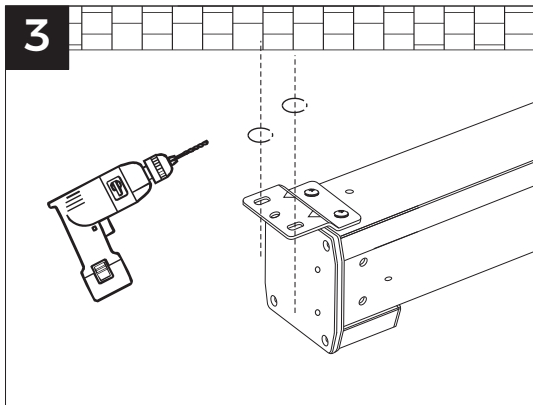
X4

# INSTALLATION

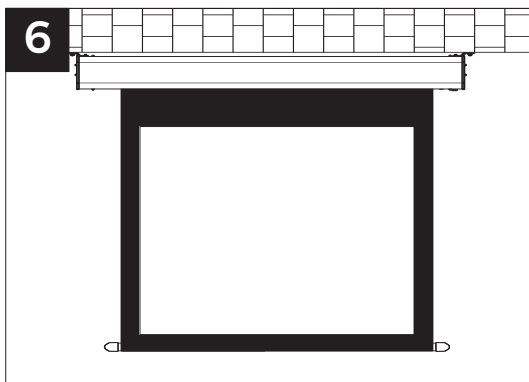
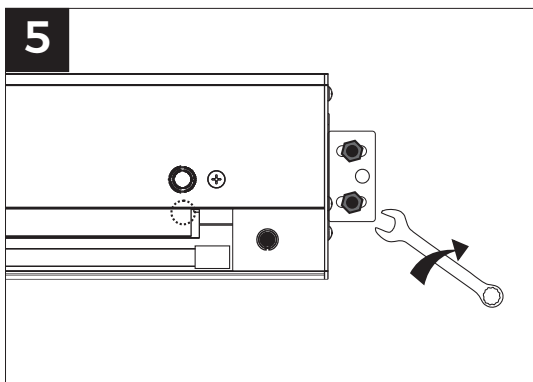
## A. Wall/Ceiling Mounting



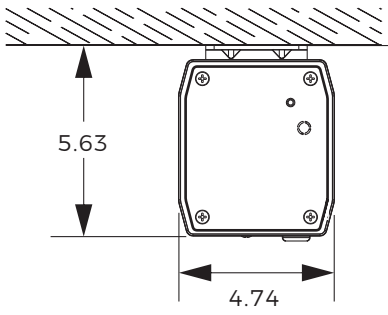
Fix Accessory 6 on the Accessory 4 and the housing with a cross screwdriver (as the above Figure 1 & Figure 2 show).



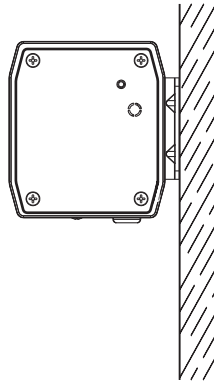
Drill two holes on the wall or ceiling according to the hole site of Accessory 4 with an electric drill and stuff the two holes with Accessory 7 (as the above Figure 3 & Figure 4 show).



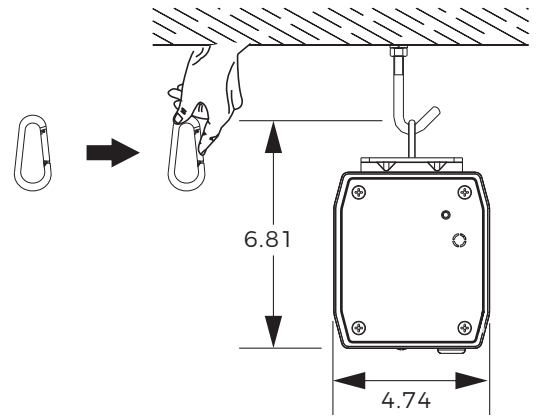
Screw up and fix the two screws on the wall or ceiling with a wrench then the mounting (wall/ceiling) is finished. (As the above Figure 5 & Figure 6 show)



Ceiling Mount

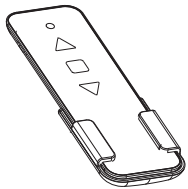


Wall Mount



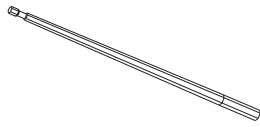
Hoisting

## PARTS



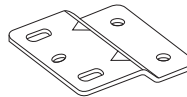
**X1**

Accessory 3



**X1**

Accessory 4



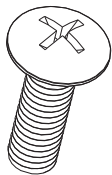
**X2**

Accessory 5



**X2**

Accessory 6



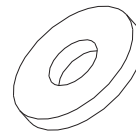
**X8**

Accessory 7



**X4**

Accessory 8



**X4**

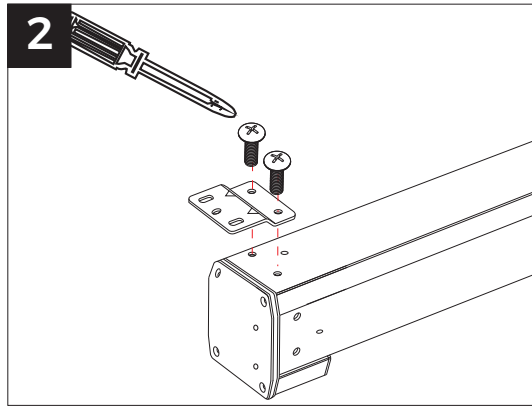
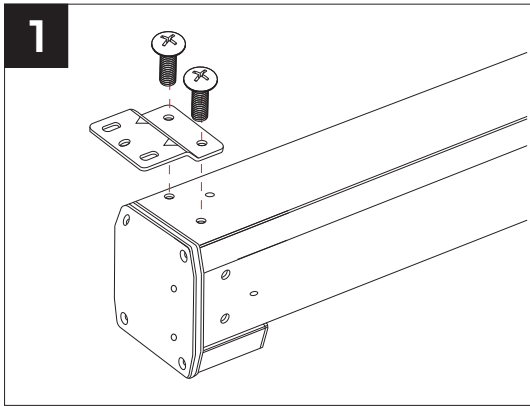
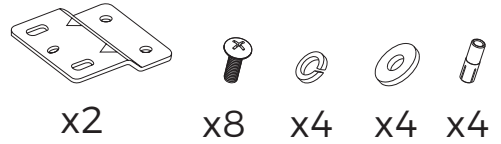
Accessory 9



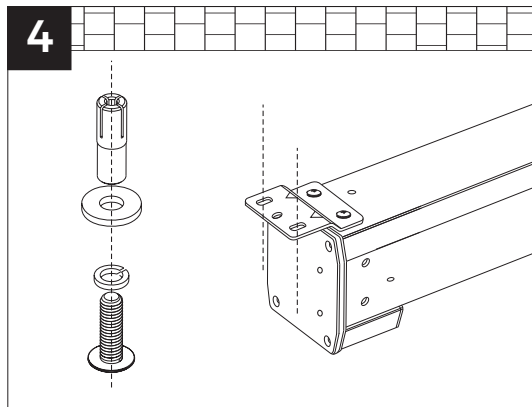
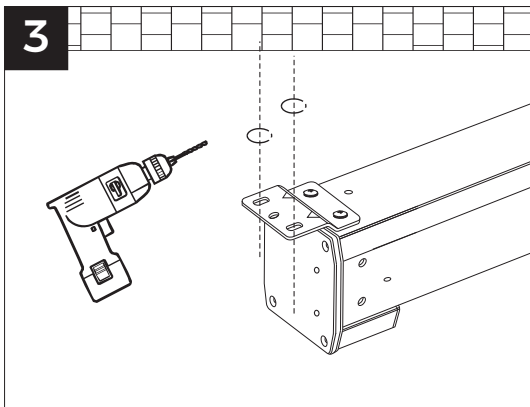
**X4**

# INSTALLATION

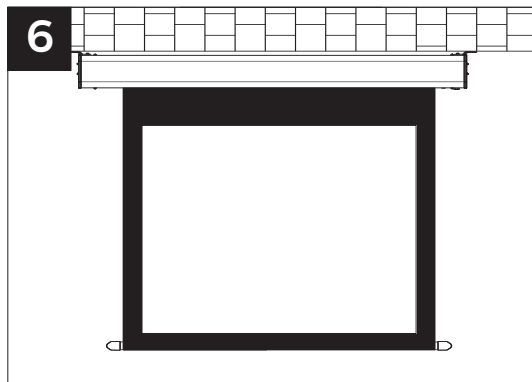
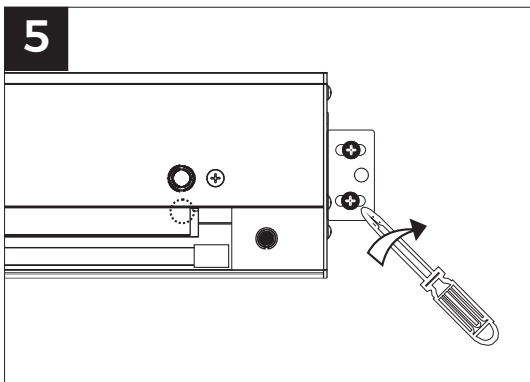
## A. Wall/Ceiling Mounting



Fix Accessory 6 on the Accessory 4 and the housing with a cross screwdriver (as the above Figure 1 & Figure 2 show).

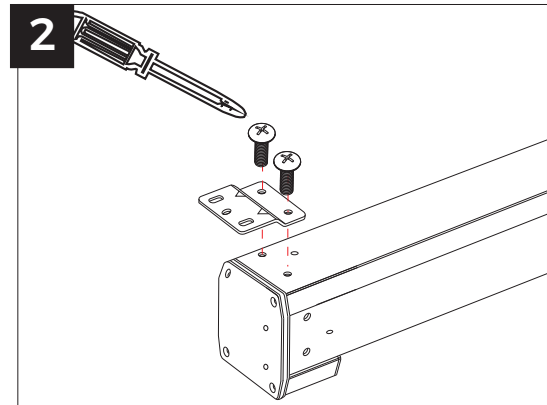
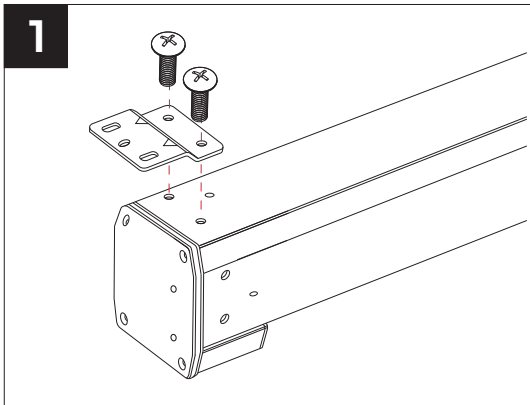
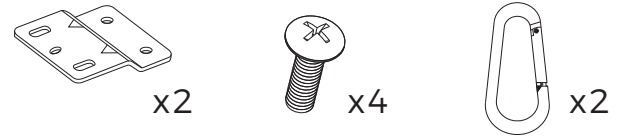


Drill two holes on the wall or ceiling according to the hole site of Accessory 4 with an electric drill and stuff the two holes with Accessory 8 & 9 (as the above Figure 3 & Figure 4 show).

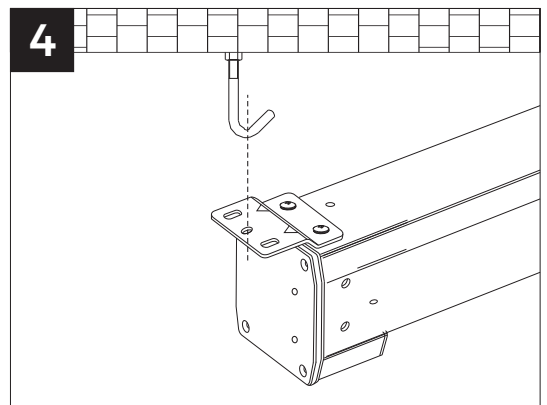
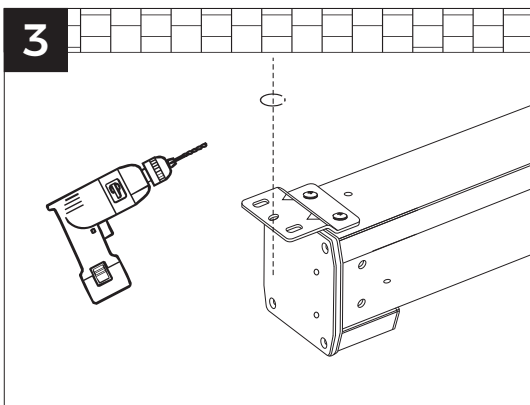


Screw up and fix the two screws (Accessory 6 & 7) on the wall or ceiling with a cross screwdriver then the mounting(wall/ceiling) is finished.(As the above Figure 5 & Figure 6 show)

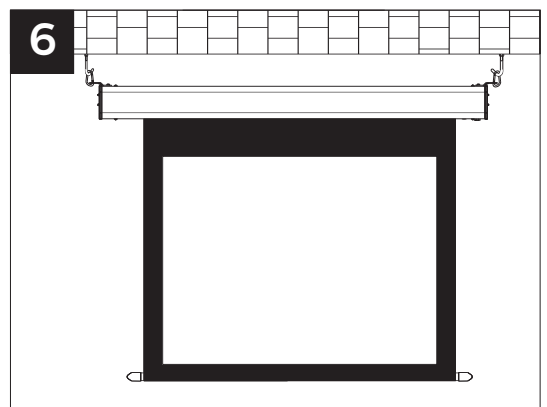
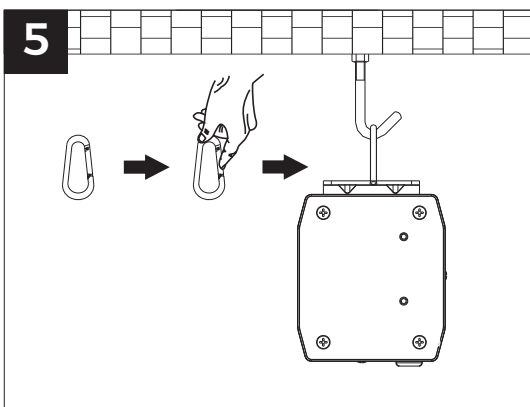
## B. Hoisting Installation



Fix Accessory 6 on the Accessory 4 and the housing with a cross screwdriver (as the above Figure 1 & Figure 2 show).

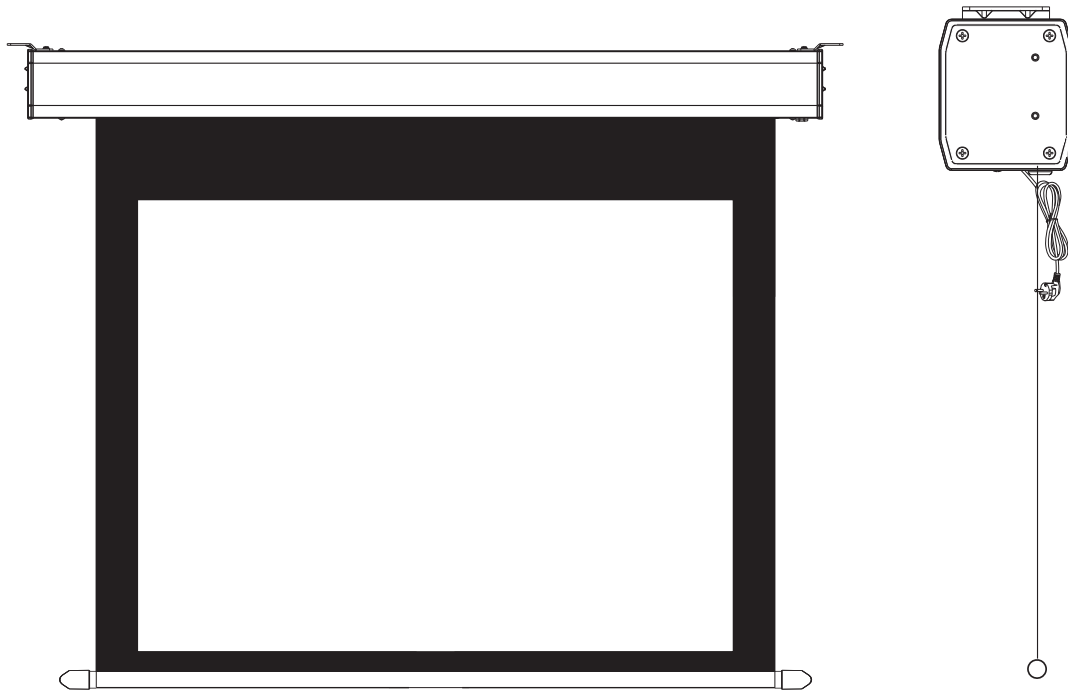


2) Drill one hole on the ceiling with an electric drill and fix the hook in it. (As the above Figure 3 & Figure 4 show)



3) Open Accessory 5 and hang it in the middle hole site of Accessory 4 and put Accessory 5 into the hook. Then the mounting is finished. (As the above Figure 5 & Figure 6 show)



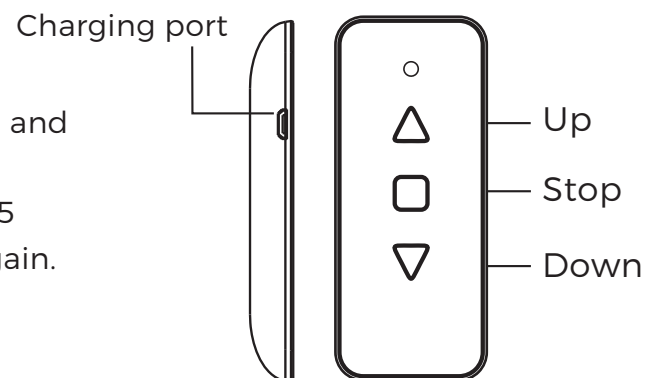


**!** **REMARK:** Please put the screen in parallel direction during mounting to ensure it's secure & firm.

## ADJUSTMENT AND USAGE

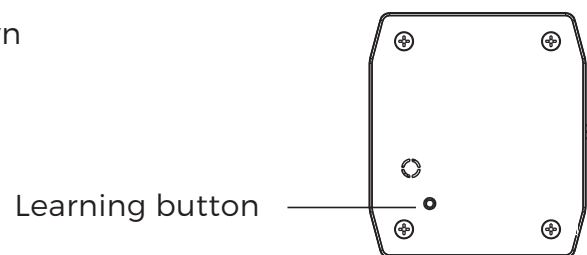
### A. Code Learning:

- I. Press the Learning button at the end cap of screen for 3-5 seconds to make screen up and down once.
- II. Press the Up button of remote control for 3-5 seconds to make screen go up and down again. Code learning is completed.



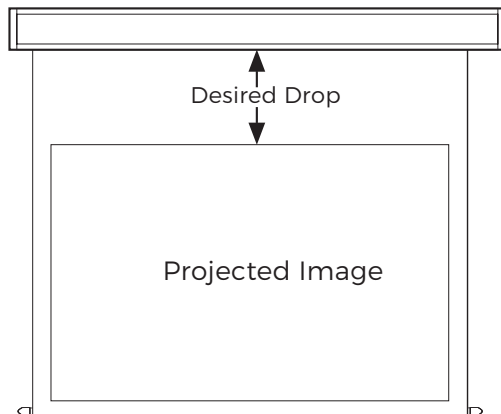
### B. Code Erasion:

Press the Learning button at the end cap of screen for 7 seconds to make the screen go up and down twice. Release the button and press the Learning button again then the original code is erased.

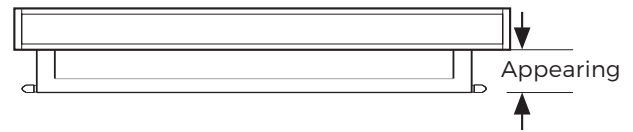


## Fabric Position

What is Lower Limit? (extend height)



What is Upper Limit?(retract height)



**DO NOT SET UPPERHER THAN DEFAULT!**

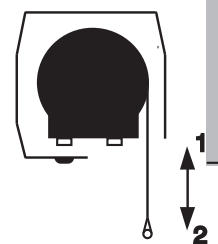
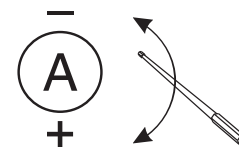
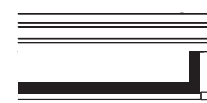
### A. UPPER LIMIT Position

When the fabric drawing back and the bottom weight bar isnot in the right place, please insert the adjusting stick intothe hole "A" :

I. Decrease for screen retract height:Counterclockwise rotate adjusting stick towards" 1" direction

II.Increase for screen retract height:Clockwise rotate adjusting stick towards "2"direction

#### UPPER LIMIT



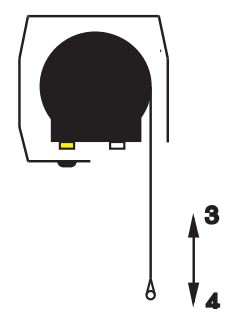
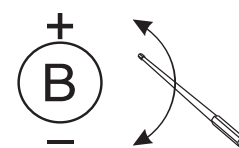
### B.LOWER LIMIT Position

When the fabric is completely opened up, while the upperborder is not in right place, please insert the adjusting stickinto the hole "B":

I. Decrease the upper border:Clockwise Rotate adjusting stick towards "3" direction

II.Increase the upper border:Counterclockwise rotate adjusting stick towards "4"direction

#### LOWER LIMIT

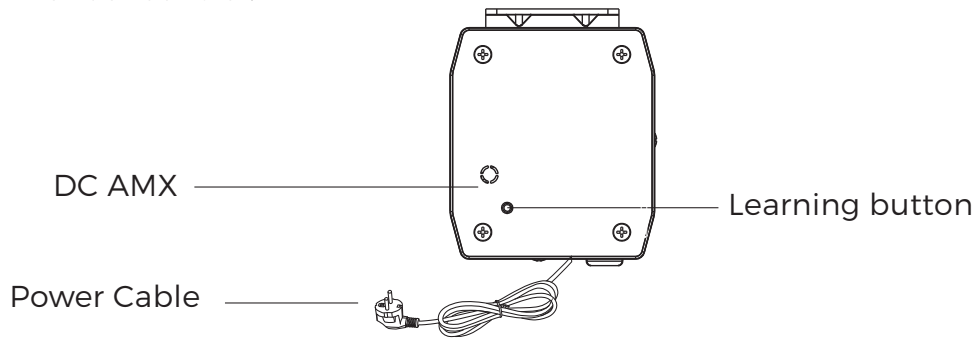


**Please test on (operates the remote control screen up and down) after adjustment, repeat the steps if need, until the screen is in the ideal place.**

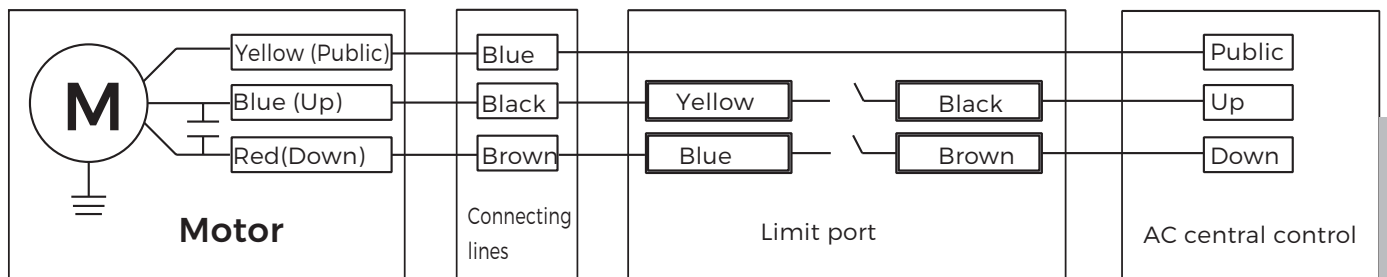
# CONTROL METHODS

## 433MHz built-in wireless remote control.

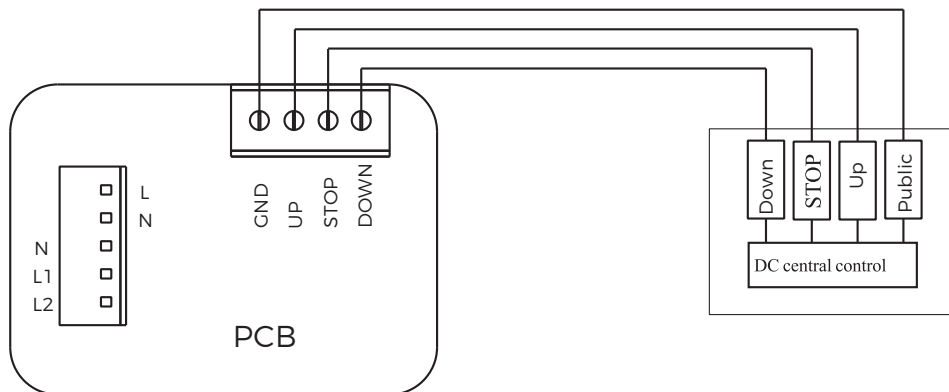
433MHz built-in wireless control system can be connected to central control (DC5V-12V) and manual control.



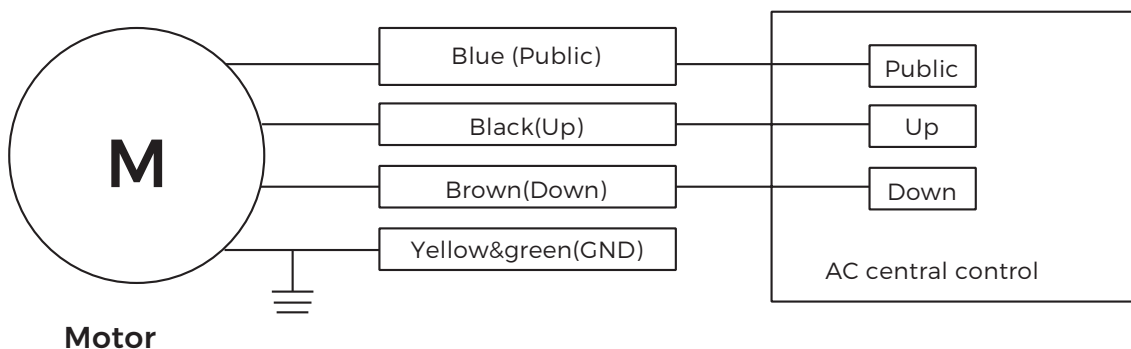
## AC CENTRAL CONTROL CIRCUIT DIAGRAMS



## DC CENTRAL CONTROL CIRCUIT DIAGRAMS



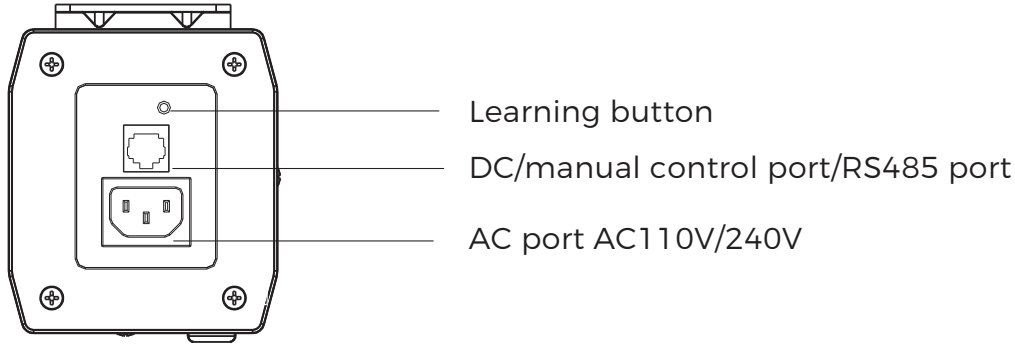
## AC CENTRAL CONTROL CIRCUIT DIAGRAMS (L SERIES)



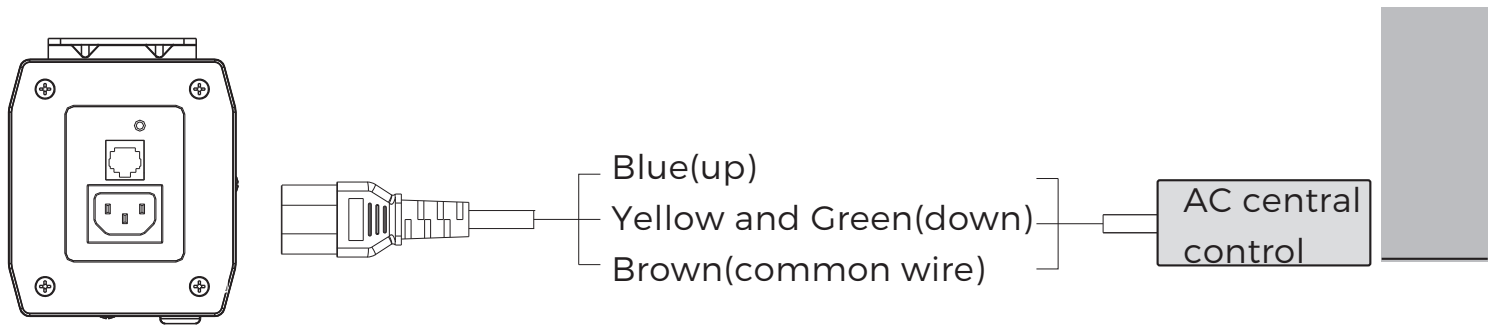
# CONTROL METHODS

## 868 MHz Inner Wireless Control

868 MHz inner wireless control system can be connected to RS 485 control , DC central control (DC5V-12V)and manual control. This device applicable to multi voltage(AC110V- 240V)



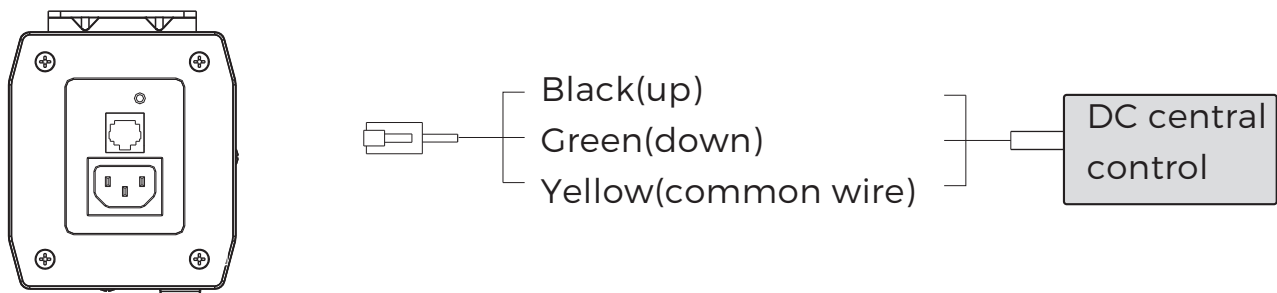
## AC Central Control Circuit Diagram

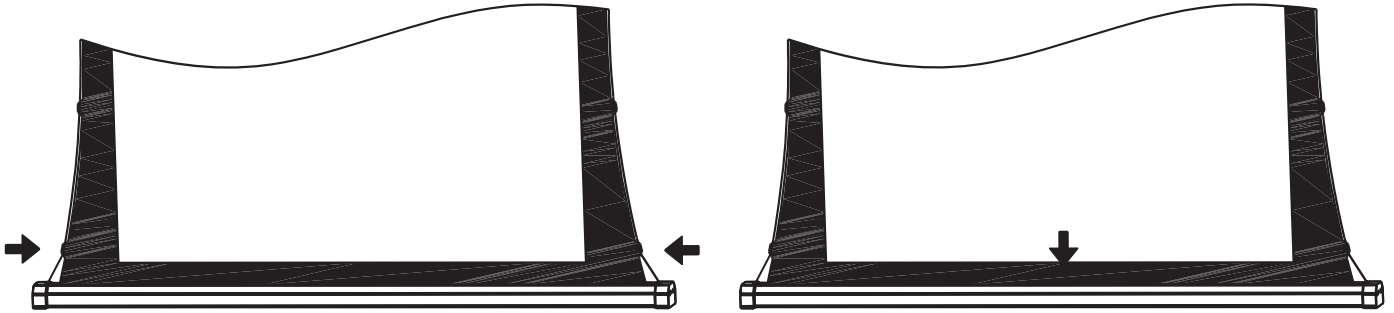


**⚠** NOTE: For your safety, live line(L) control screen up and down, concentric line is neutral line(N).

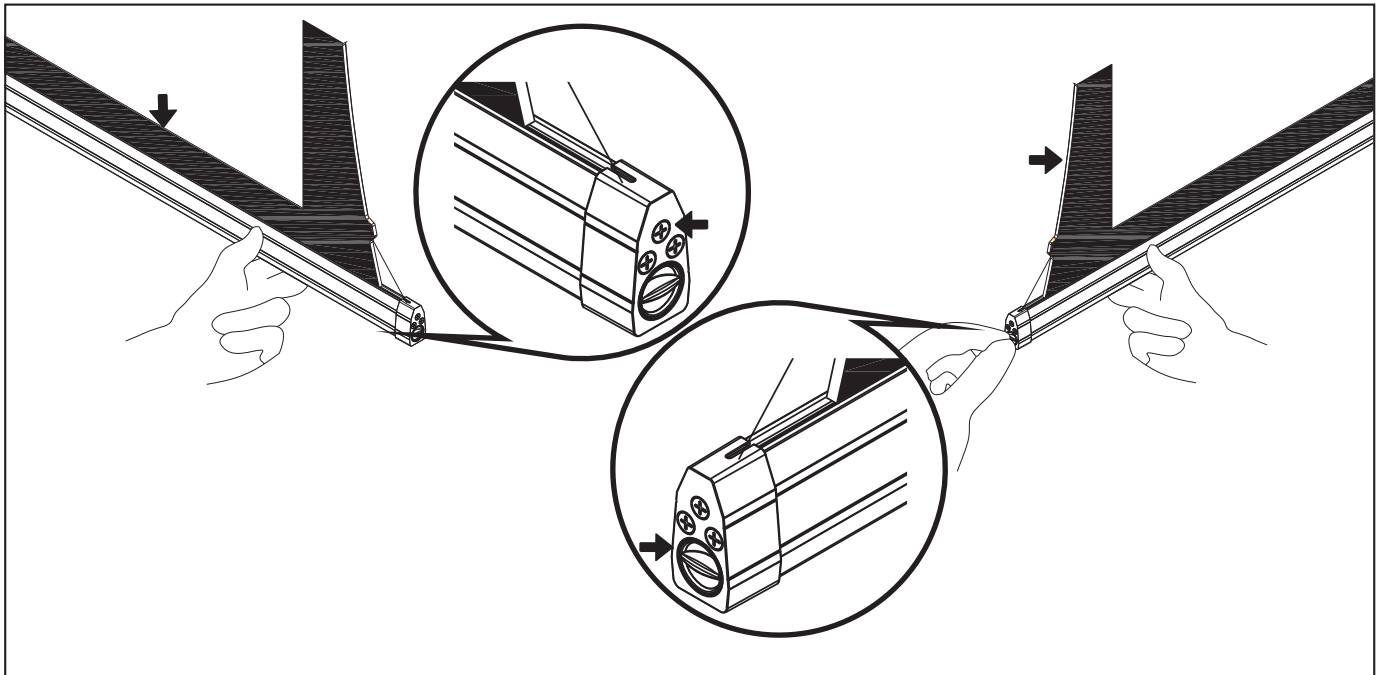
**!** AC central control can't be connected to receiver board.

## DC Central Control Circuit Diagram

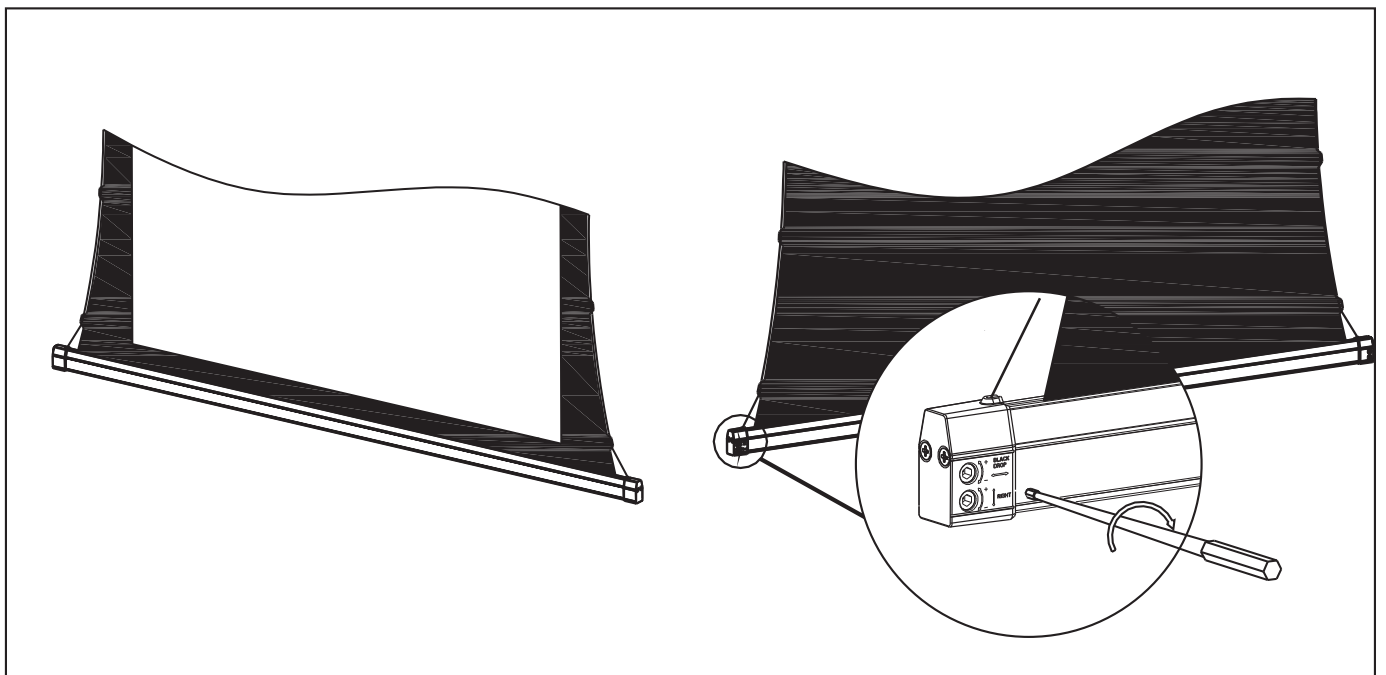




A.(L)



B.



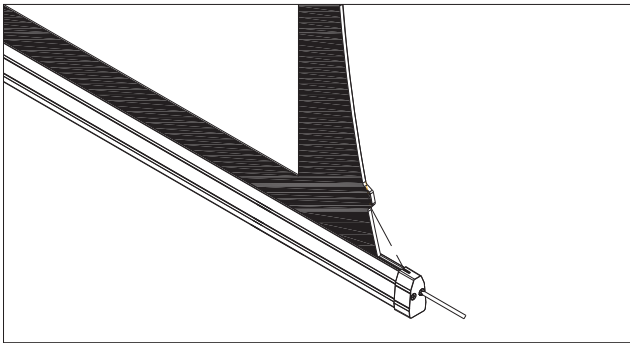
L/T: LEFT Tension

R/T: RIGHT Tension

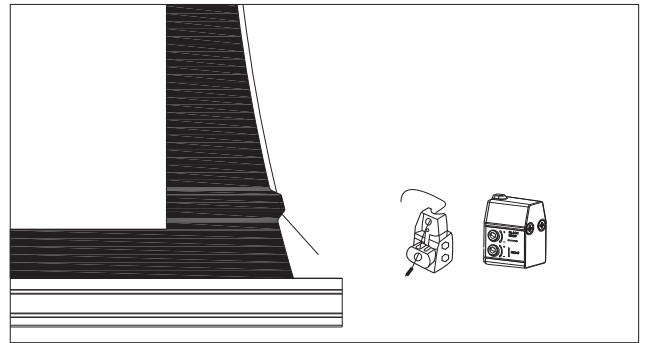
BWT: Bottom Weight Bar

# HOW TO FIX BROKEN TENSIONING STRING

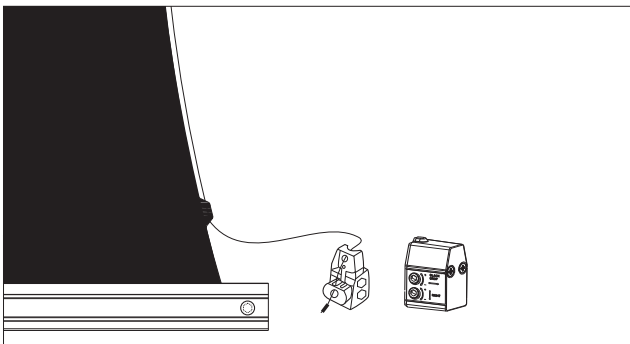
## A. When the tensioning string of the lower end is broken



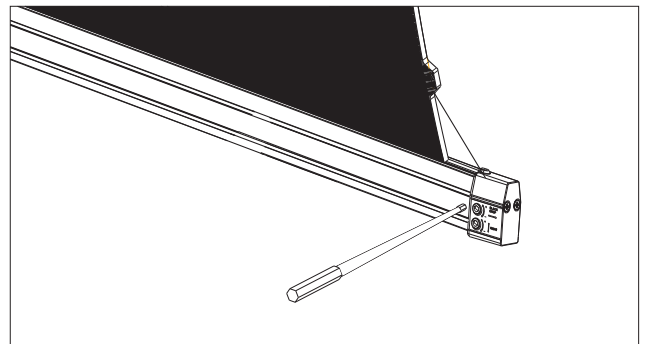
1. Unscrew the fixed screws and the screw of bottom weight bar, take the end cap of weight bar off.



2. Unscrew the tensioning position screw and related parts.

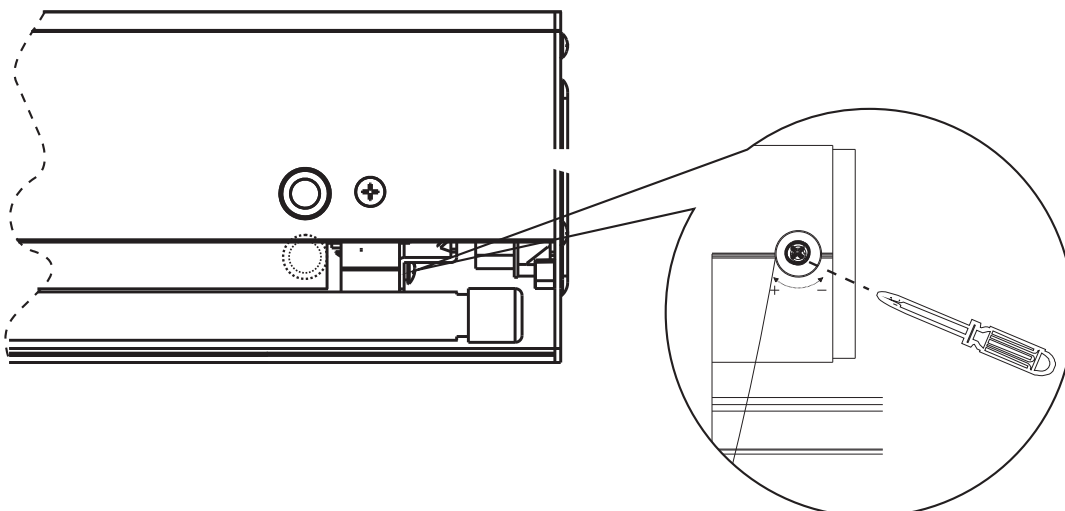


3. Pull the knob out and attach string again.



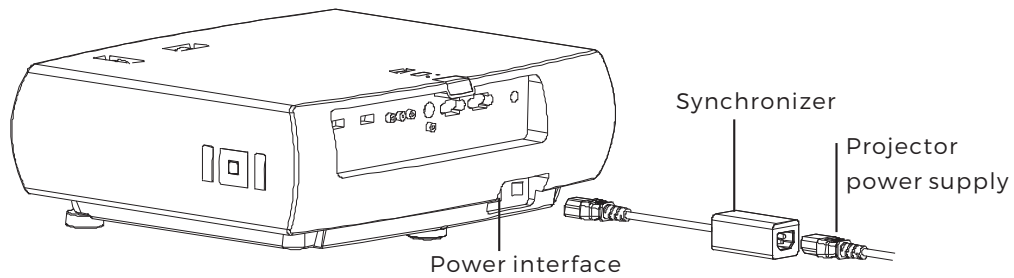
4. Adjust the string by rotating Accessory 3.

## B. When the tensioning string of the upper end is broken



1. Unscrew the screw, attach the tensioning string again and screw up the screw.

## SYNCHRONIZATION TRIGGER



### Code Learning(with screen):

Connect the synchronizer and power, turn on the projector, short press the "learn" button (the side cover of the screen cover) ( $\leq 3$  seconds) until the screen automatically runs up.

Press the "Set" button on the synchronizer to indicate The light flashes, the screen will run once at a time, release the "Settings" button, and the learning code ends.

### Current memory:

Connect the synchronizer and power, turn on the projector.

Press and hold the "Settings" button on the synchronizer until the indicator flashes from green flash to red flash to release the memory.

### Delete code:

Press and hold the "learning" button (the side cover of the screen cover) for 7 seconds, release the button, press the "learn" button again until the screen automatically goes up twice, and the code deletion ends.

## FAULT ANALYSIS AND ELIMINATION

- A. Press any of the "Up", "Down" or "Stop" buttons on the remote control. If the indicator does not light, the remote control is low. Try plugging in the charging power source for charging.
- B. If the remote control cannot learn the code, please try to delete the code and learn the code again (for the method, please refer to the debugging and use section of this manual).
- C. If you can't control the screen with the remote control, but the internal relay of the screen has a "beep" sound.  
please open the end cover to see if the wiring is in good contact. If the wiring is good, it is recommended to replace the motor.  
If the relay is no noise, please replace the receiving board directly.
- D. If the synchronizer (optional) does not control the screen, press the Learn button (the screen cover side cover)  
until the screen automatically goes up and down. Press the Setup button on the synchronizer to see  
if the indicator is flashing, if the synchronizer does not respond, Then try to replace the synchronizer.

