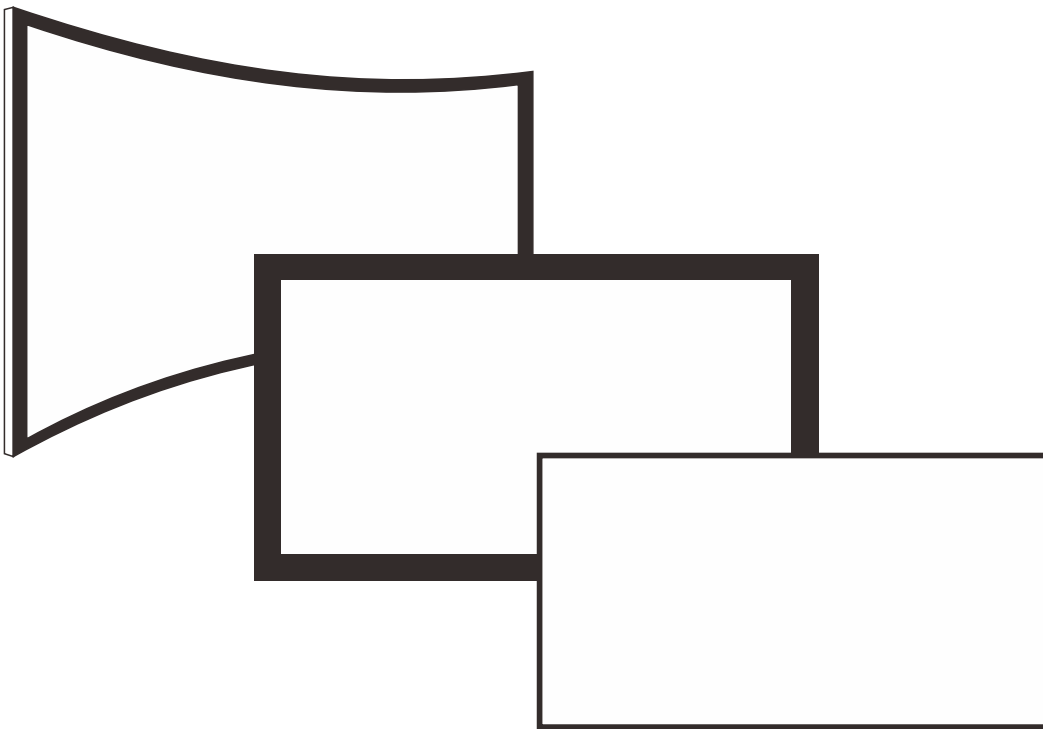




FIXED FRAME SCREEN USER MANUAL



7mm Frame



04

60mm Frame



14

90mm Frame



15

60/90mm
CURVED Frame



16

Please read this instruction manual carefully before connecting, operating or adjusting this machine.

Please keep this manual in a safe place for future reference.

Actual product may vary from image shown. Product specifications subject to change without notice.

CONTENT

Guidance	02-03
Suggested Projector Placement	02
Screen Care.....	03



7mm Frame **04-13**

Parts List [A].....	04
Parts List [B].....	05
Inner Frame Assembly	06
Black Backer Attachment.....	07
Fabric Attachment.....	08
Outer Frame Assembly.....	12
Wall Installation.....	13



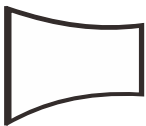
60mm Frame **14-21**

Parts List.....	14
Frame Assembly	17
Fabric Attachment.....	18
Black Backer Attachment.....	19
Support Bar Installation.....	20
Wall Installation.....	21



90mm Frame **15-21**

Parts List.....	15
Frame Assembly	17
Fabric Attachment.....	18
Black Backer Attachment.....	19
Support Bar Installation.....	20
Wall Installation.....	21



60/90mm CURVED Frame **16-21**

Parts List.....	16
Frame Assembly	17
Fabric Attachment.....	18
Black Backer Attachment.....	19
Support Bar Installation.....	20
Wall Installation.....	21

TO THE OWNER

Thank you for purchasing our Fixed Frame screen.

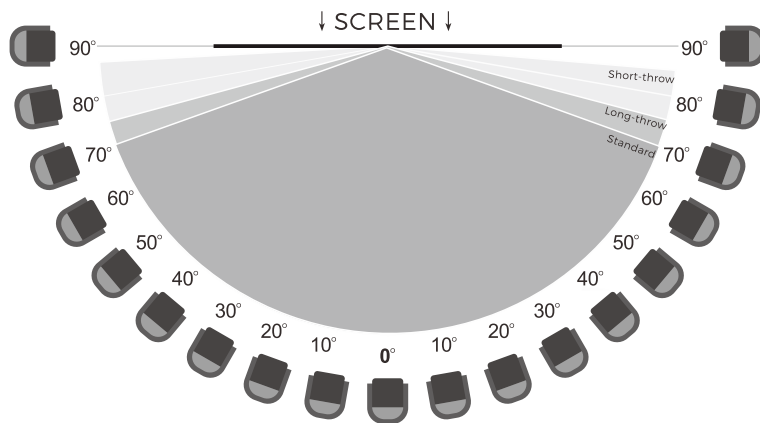
Please take a moment to read this manual carefully before assembly and installation.



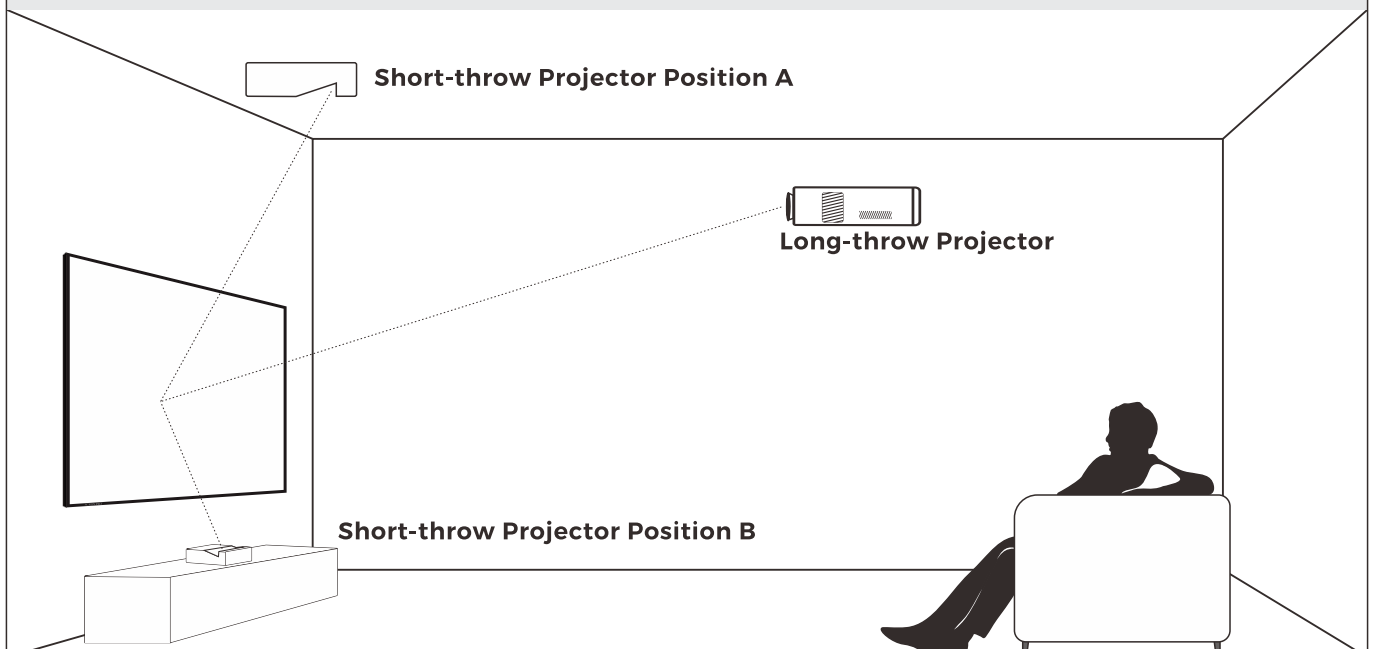
DIRECTIONS

- 1) Due to the batch divergence, please refer to the actual product configuration.
- 2) The indication is for reference only, and the actual size is subject to the actual product.
- 3) Wear gloves when handling the material. Carefully unroll the screen material out onto a clean floor.
Take care to not bend or crease the screen material.
- 4) It is strongly recommended that the screws be screwed into the wall studs where possible.
If the wall studs cannot be used, wall anchors must be used.
- 5) Select a location that is not susceptible to moisture, dust, and is away from high traffic locations.
- 6) Please note accessories will be slightly different because of the different fabrics.

GUIDANCE



Short-throw screen user, please pay attention to the direction of the screen.
The screen will change according to the installation position of the projector.
The recommended viewing distance is more than 2m



SCREEN CARE

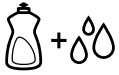


Avoid sharp objects from directly touching the screen surface.

Avoid scratching the screen surface, which will cause irreparable damage.

Do not touch the screen surface directly with your hand, skin grease will cause damage to the screen coating.

If involved with acetone, benzene, alcohol, etc., please consult your dealer first



Short-throw Fabric:

For general dust, use a soft brush to clean the screen surface.

Use a soft cloth to dip with mild soapy liquid or neutral detergent.

Rough objects or clothes may damage the screen surface.

The screen surface has optical textures, please wipe the horizontal direction when cleaning the fabric; do not wipe it vertical direction or revolve.

Wet cleaning: with a soft towel moistened with water or diluted detergent (Do not use alcohol). Compressed gas duster is recommended.



Acoustically Transparent Fabric:

Compressed gas duster is recommended.

Dust off the screen with a dry rag. Do not use wet cloth, detergent, etc. to wipe the dust on the curtain surface.



Long-throw Fabric:

The surface can be cleaned as follows:

1. Using a white clean cloth(100% cotton preferred) and dampened with clear water, gently wipe the area in one direction. Do not use a circulate motion. Using a fry 100% cotton cloth, wipe dry after each cleaning and before folding and storing.

2. To clean a stubborn stain or sticky surface, use denatured alcohol(methanol or methyl alcohol) following the same procedure as for water.

OR.

1. Lint-free white cloths, Mild Soap (hand soap is suitable), and water.

2. Take the Lint-Free cloth and submerge it in warm water for cleaning light dust and dirt. For stubborn stains or a sticky surface, a solution of mild dishwashing liquid diluted with warm water should be used.

3. Completely ring out the cloth so it is lightly dampened, and not drenched.

4. Using the damp cloth, lightly wipe in an up-and-down motion starting at the left of the screen and moving to the right of the screen. DO NOT WIPE IN CIRCULAR MOTION.

5. Once you have completed wiping the entire screen with a dampened Lint-Free cloth, use the dry Lint-Free cloth to wipe off any excess water from the screen.



Standard Fabric:

Using a white clean cloth (100% cotton preferred) that is dampened with clear water, gently wipe the area in one direction. Do not use a circular motion. Using a dry 100% cotton cloth, wipe dry after each cleaning session. To clean a stubborn stain or a sticky surface, use denatured alcohol (methanol or methyl alcohol) following the same procedure as for water.

7mm Frame



7mm Frame

type **A** [70mm width]



Please make sure all parts are included in your package before proceeding to assemble fixed frame screen.

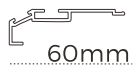
x1
Non-Woven Floor Mat

x1
Screen

x1
Black Backing
*Acoustically Transparent
Fabric Only

x1
MANUAL

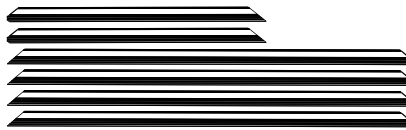
x1
Gloves



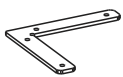
x4-6
Outer Frame
L.04.03.2169.7



x4-6
Inner Frame
L.04.04.2161.5



x1



x8
Corner Joint
J.97.10.0001.2

Split Frame Only



x4
Splice Bar
J.97.09.0002.2



x4
Double Sided Tape
UST Fabric Only



x45+
Pressing Plate
S.07.01.0003.3



x48+
Splice Bar Screws
(M6x6)



x4
Corner Guard
J.95.10.0001.6



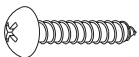
x1
M3 Hex Key



x1-2
Only apply to product over 100"
Center Support Bar
J.95.09.1461.3



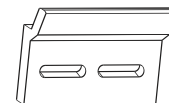
x4-6+
Fiberglass Rod
S.98.02.1217.0



x6+
Mounting Screws(M5x32mm)
B.13.04.0120.6

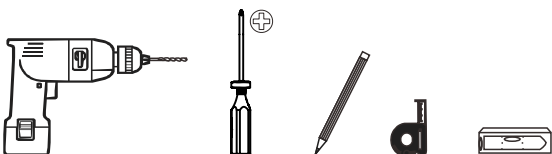


x6+
M8 Expansion Bolts
B.99.008000.0



x3+
Wall Brackets
L.06.03.0001.4





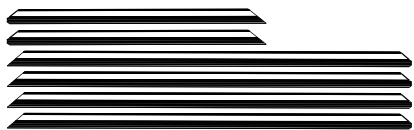

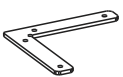
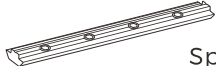



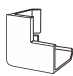



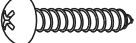
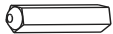
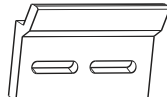
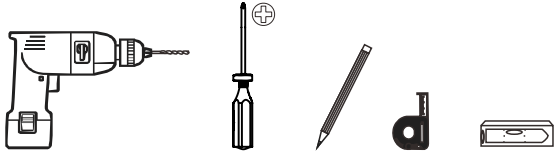
Additional Tools



7mm Frame

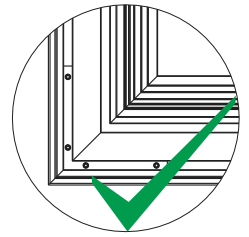
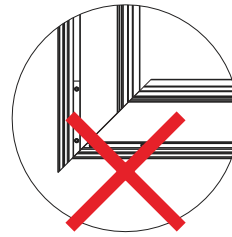
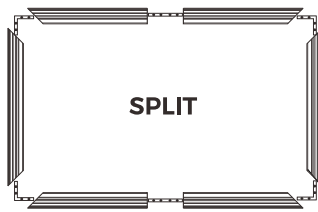


Please make sure all parts are included in your package before proceeding to assemble fixed frame screen.

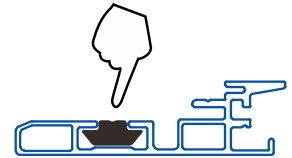
<p>x1 Non-Woven Floor Mat</p>	<p>x1 Screen</p>	<p>x1 Black Backing *Acoustically Transparent Fabric Only</p>	<p>x1 MANUAL</p>	<p>x1 Gloves</p> 
<p> 60mm x4-6 Outer Frame L.04.03.2169.7</p> 	<p> 80mm x4-6 Inner Frame L.04.04.2161.5</p> 	<p>x1</p> 		
<p>x12 Corner Joint J.97.10.0001.2</p> 	<p><i>Split Frame Only</i> x6 Splice Bar J.97.09.0002.2</p> 	<p>x4 Double Sided Tape UST Fabric Only</p> 	<p>x45+ Pressing Plate S.07.01.0003.3</p> 	
<p>x72+ Splice Bar Screws (M6x6)</p> 	<p>x4 Corner Guard J.95.10.0001.6</p> 	<p>x1 M3 Hex Key</p> 		
<p>x1-2 Center Support Bar J.95.09.1461.3</p> <p><i>Only apply to product over 100"</i></p> 	<p>x4-6+ Fiberglass Rod S.98.02.1217.0</p> 			
<p>x6+ Mounting Screws(M5x32mm) B.13.04.0120.6</p> 	<p>x6+ M8 Expansion Bolts B.99.008000.0</p> 	<p>x3+ Wall Brackets L.06.03.0001.4</p> 		
<p>Additional Tools</p> 				

INSTALLATION

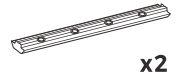
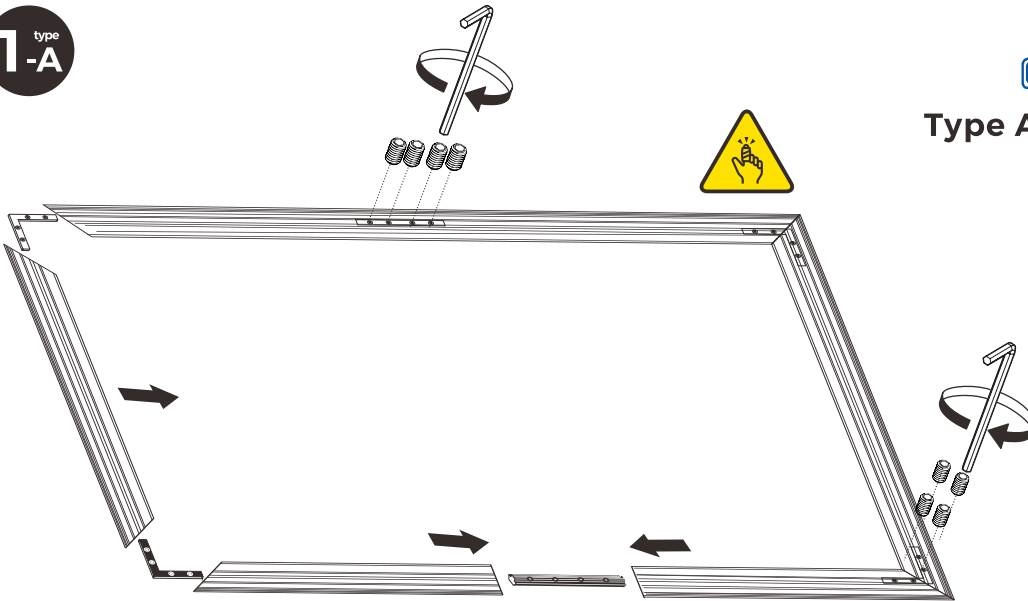
Please check the frame type first



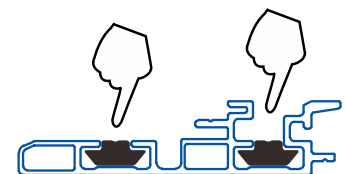
type
1-A



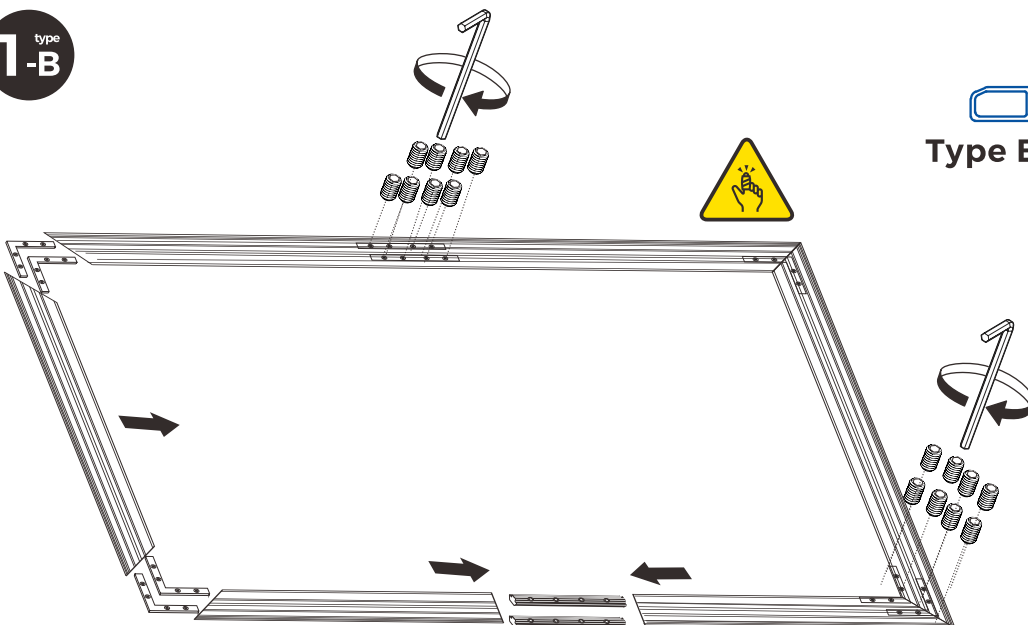
Type A [70mm width]





type
1-B

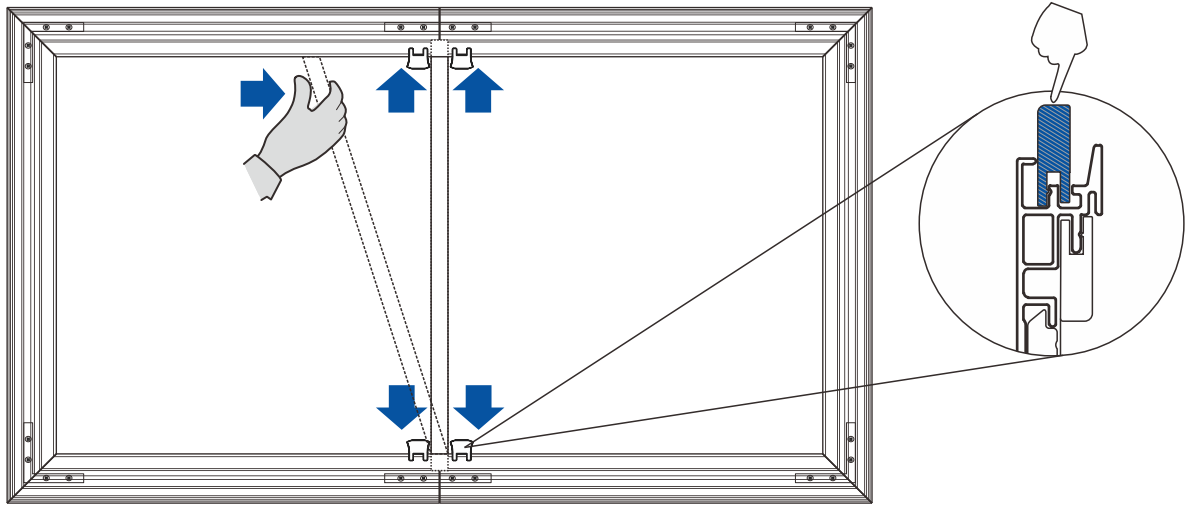


Type B [80mm width]



2

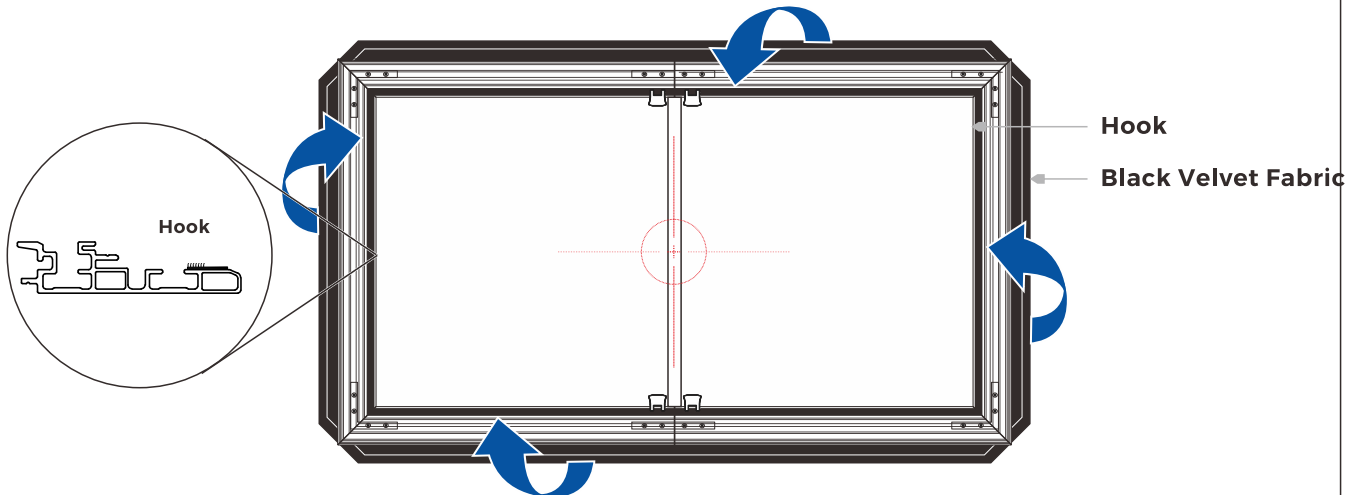
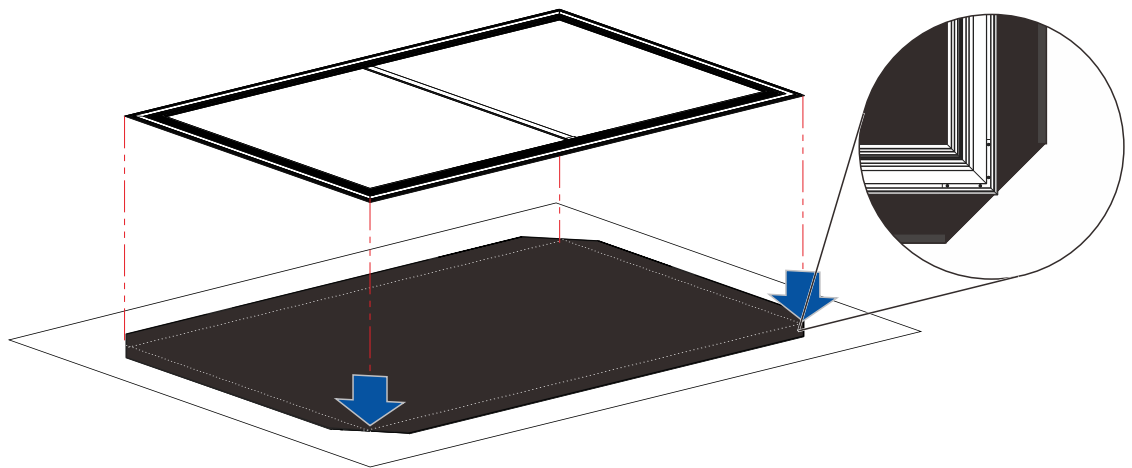
x1  x4  x4



BLACK BACKER ATTACHMENT



Acoustically Transparent materials come with a black backer that must be installed to eliminate shine through. Attach the light-absorbing black velvet fabric onto the Hook(frame)



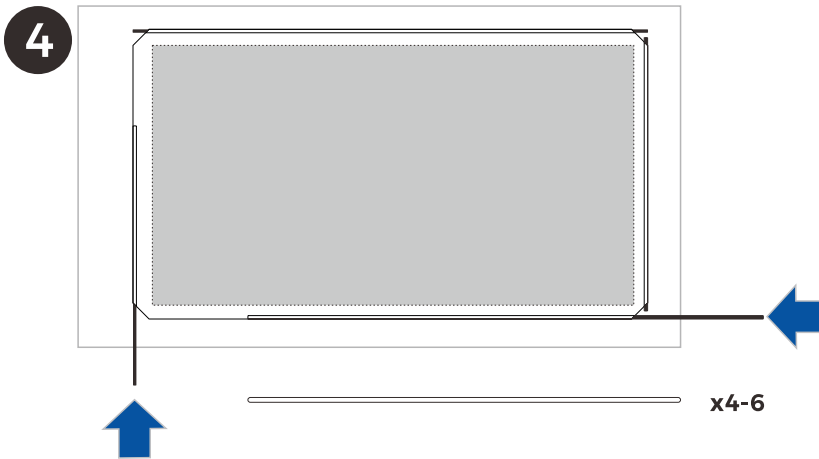
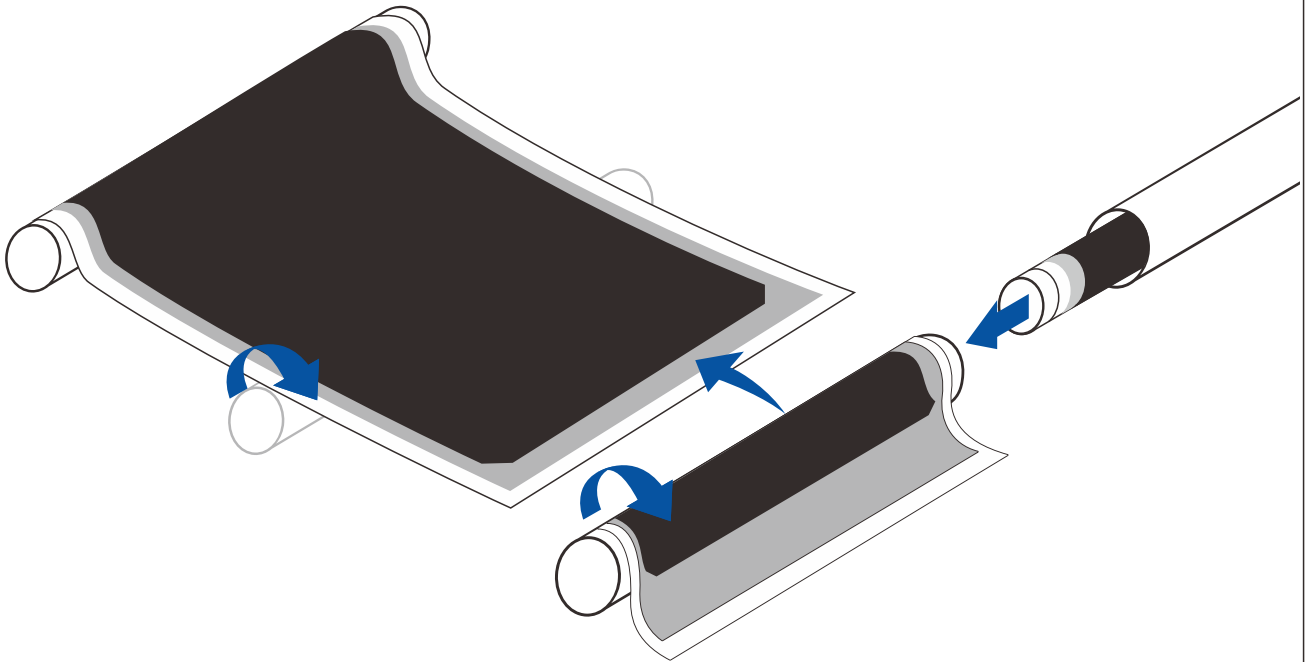
FABRIC ATTACHMENT



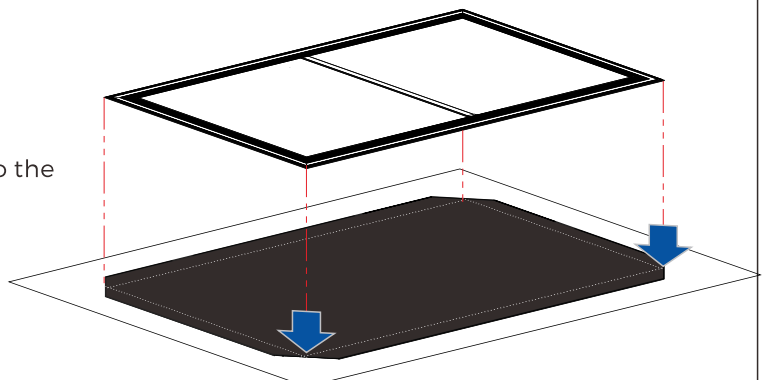
Wear gloves when handling material. Take care to not bend or crease the screen material. Carefully unroll the screen material out onto a clean floor.



- 3** Lay the screen material (screen projection side facing down) on the non-woven fabric.



Insert the Fiberglass Rod separately into the edges of all four corners of the material. Place the assembled inner frame into the material as show.

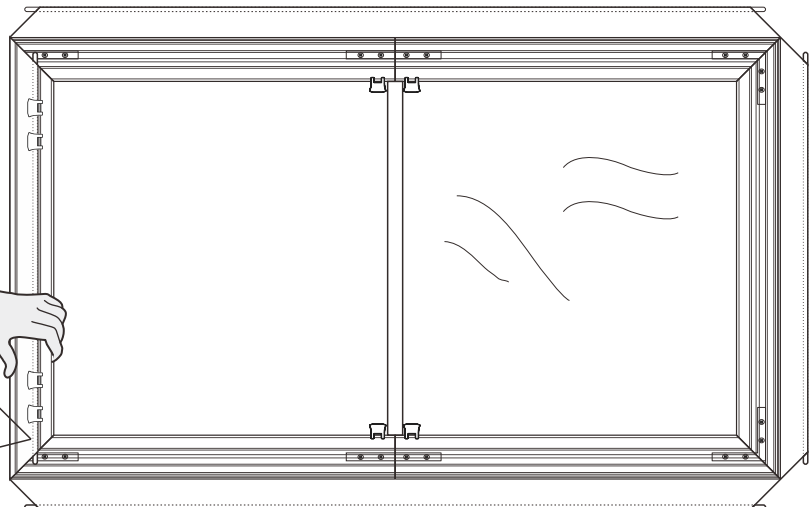
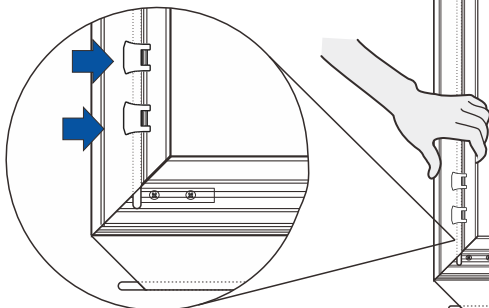
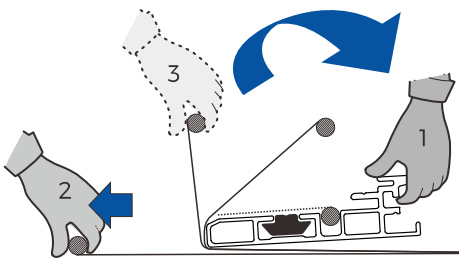
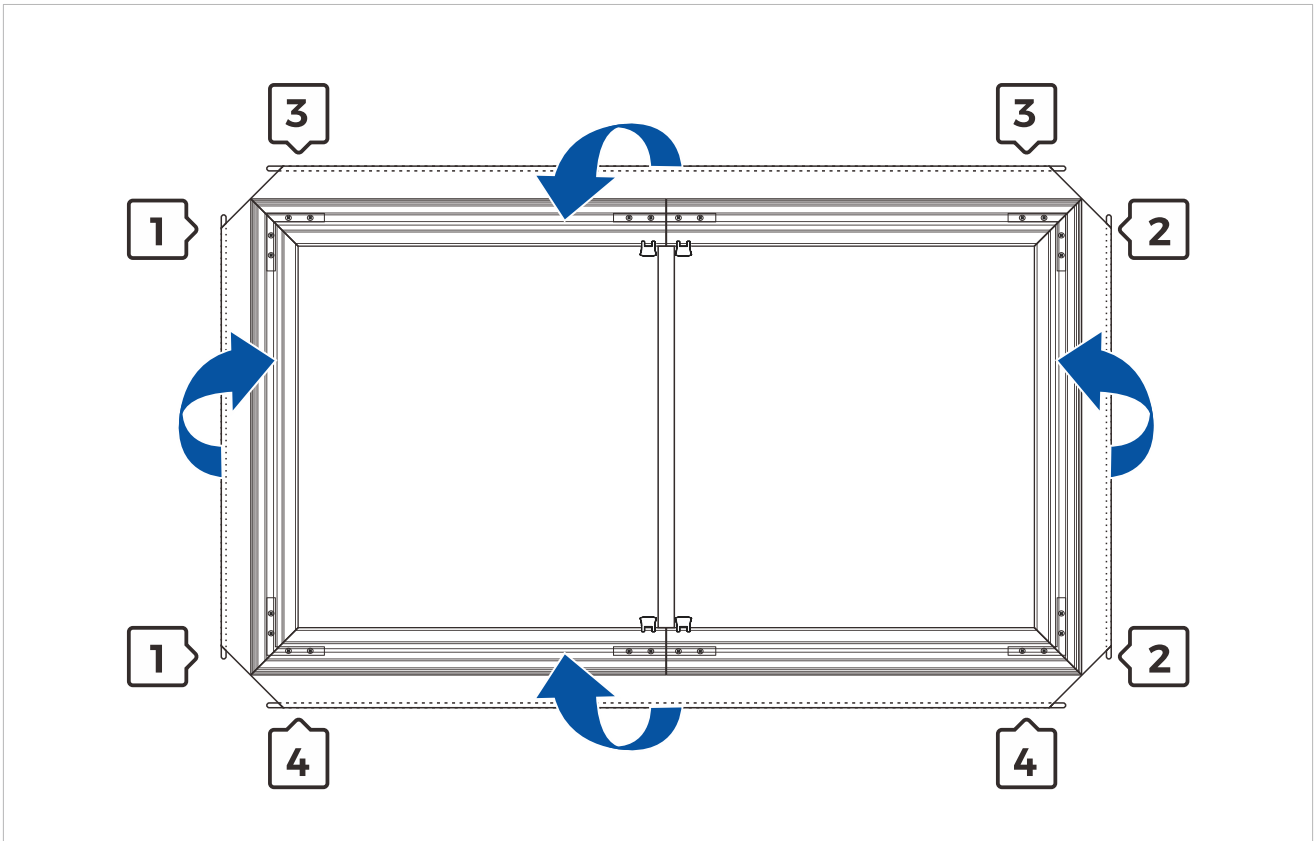




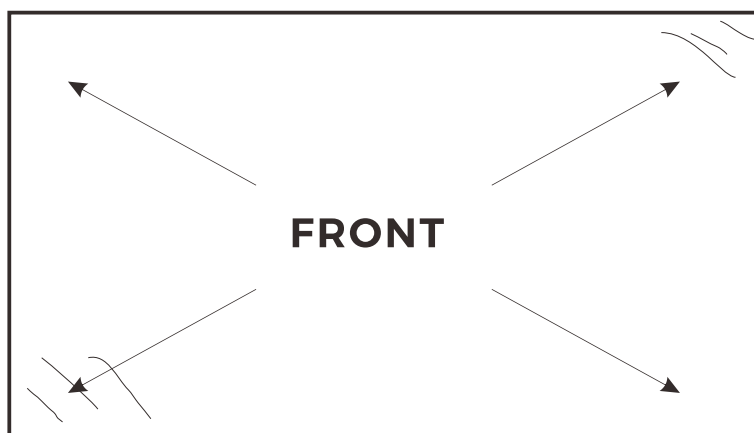
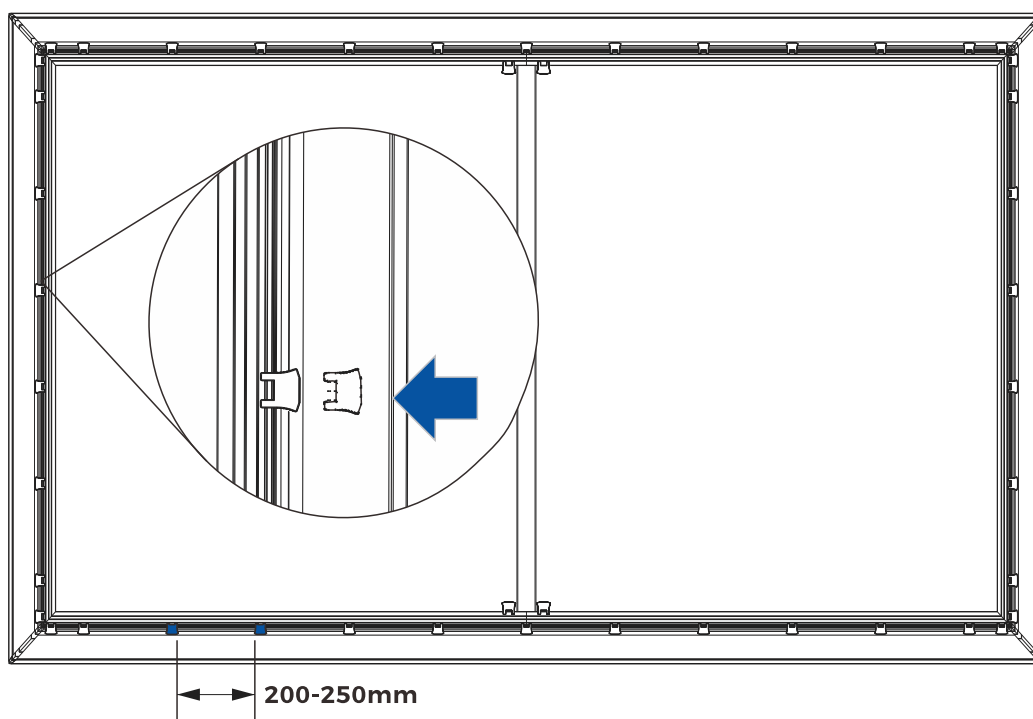
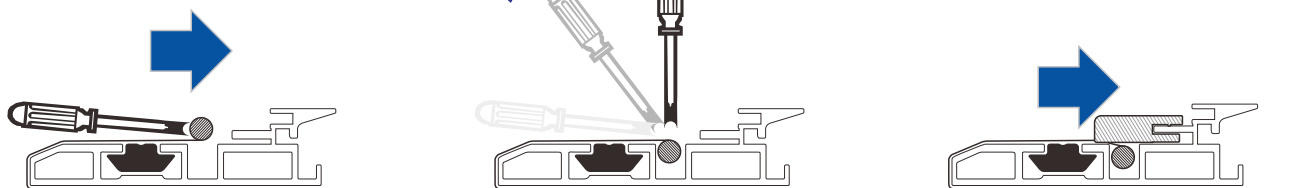
After all four corners have been attached; please check whether the screen surface is flat. If not, please loosen the pressing plate and pull the fabric tighter.

5

Stretch the Fiberglass Rod in the direction of the arrowhead, then use the Pressing Plate fix screen material in each frame corner (1 → 2 → 3 → 4).



6



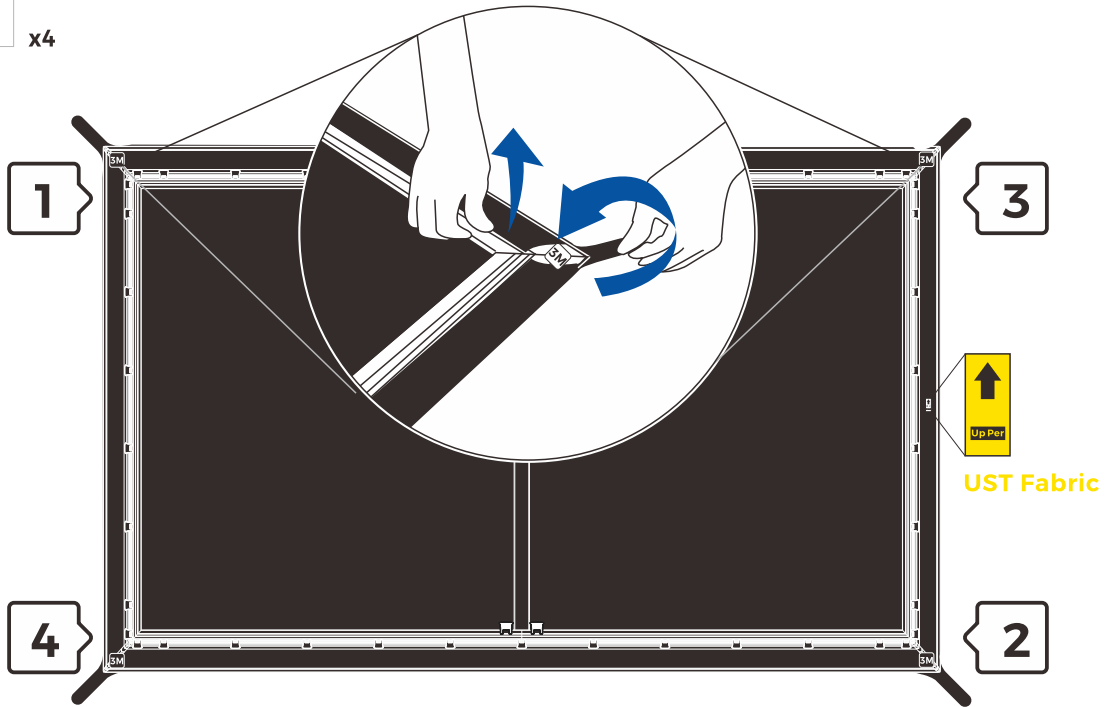
After the curtain is fixed, check whether the surface (corner) of the curtain is smooth from the front. If there are wrinkles, remove the corresponding corner pressure plate, tighten the curtain again, and fix the pressure plate.

UST Fabric



UST ALR materials comes with Double Sided Tapes that must be installed on the material corner(straps) to prevent wrinkles. Stick the straps onto the frame along the direction of the corner joining .

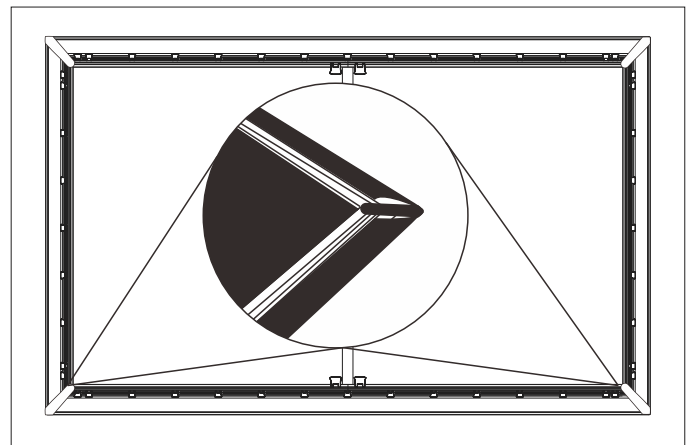
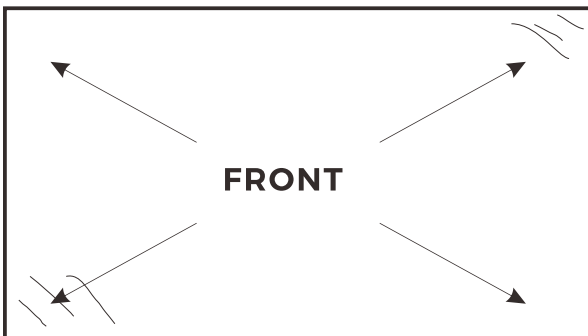
There are also has labels on the screen material to help distinguish the correct direction.



7

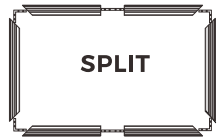


Flip the screen to the front, make sure the screen material is flat.
If Not, take down the Pressing Plate, stretch the screen material corner, and reattach.



FRAME ASSEMBLY

OUTER



x4-6

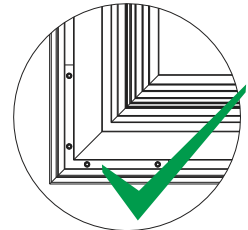
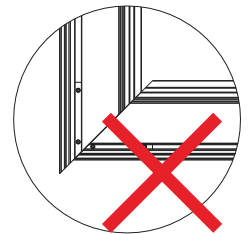
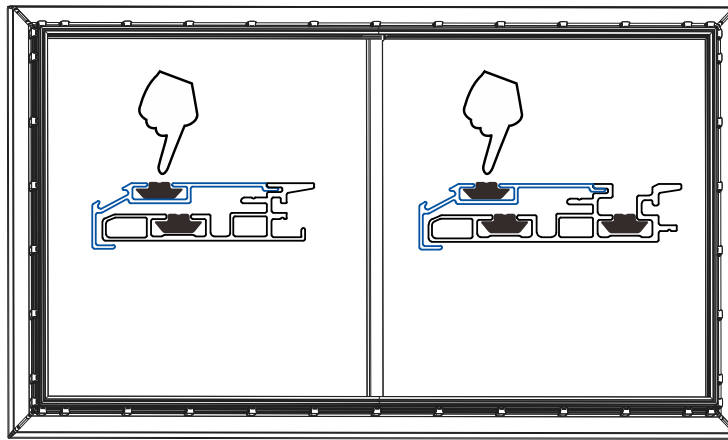
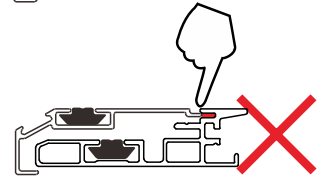
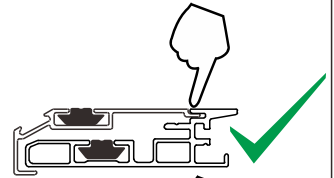
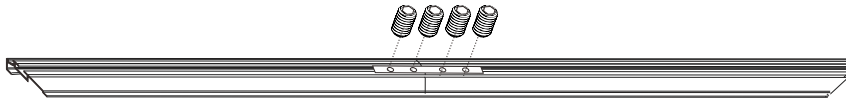


x2

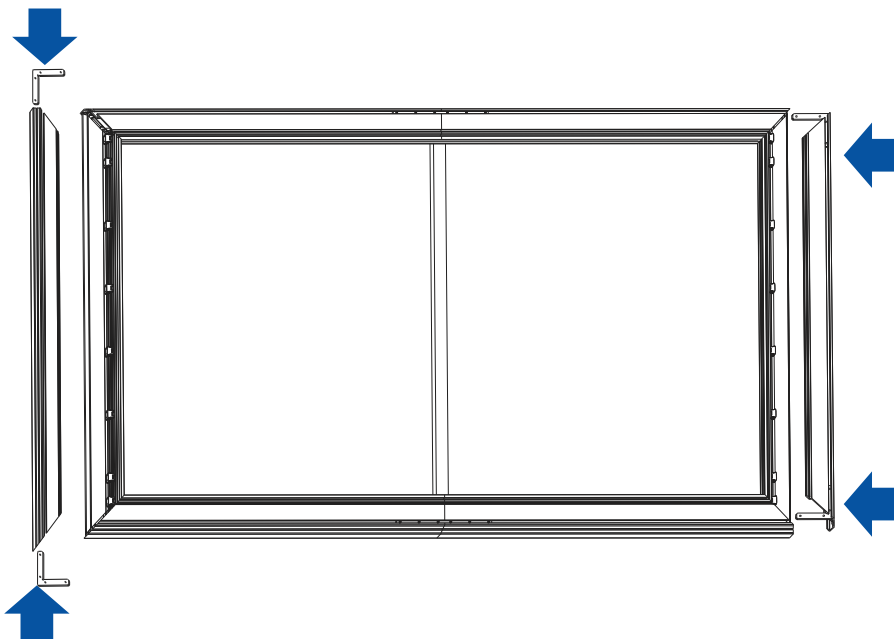


x8

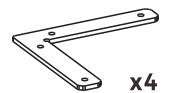
8



9



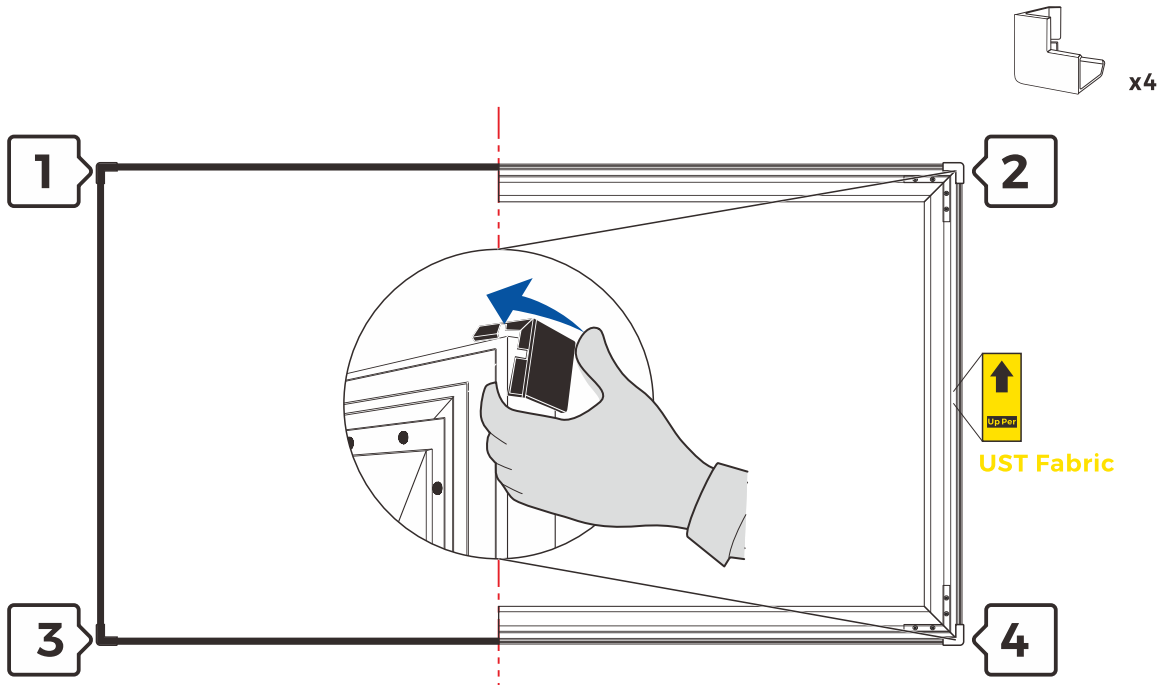
x16



x4



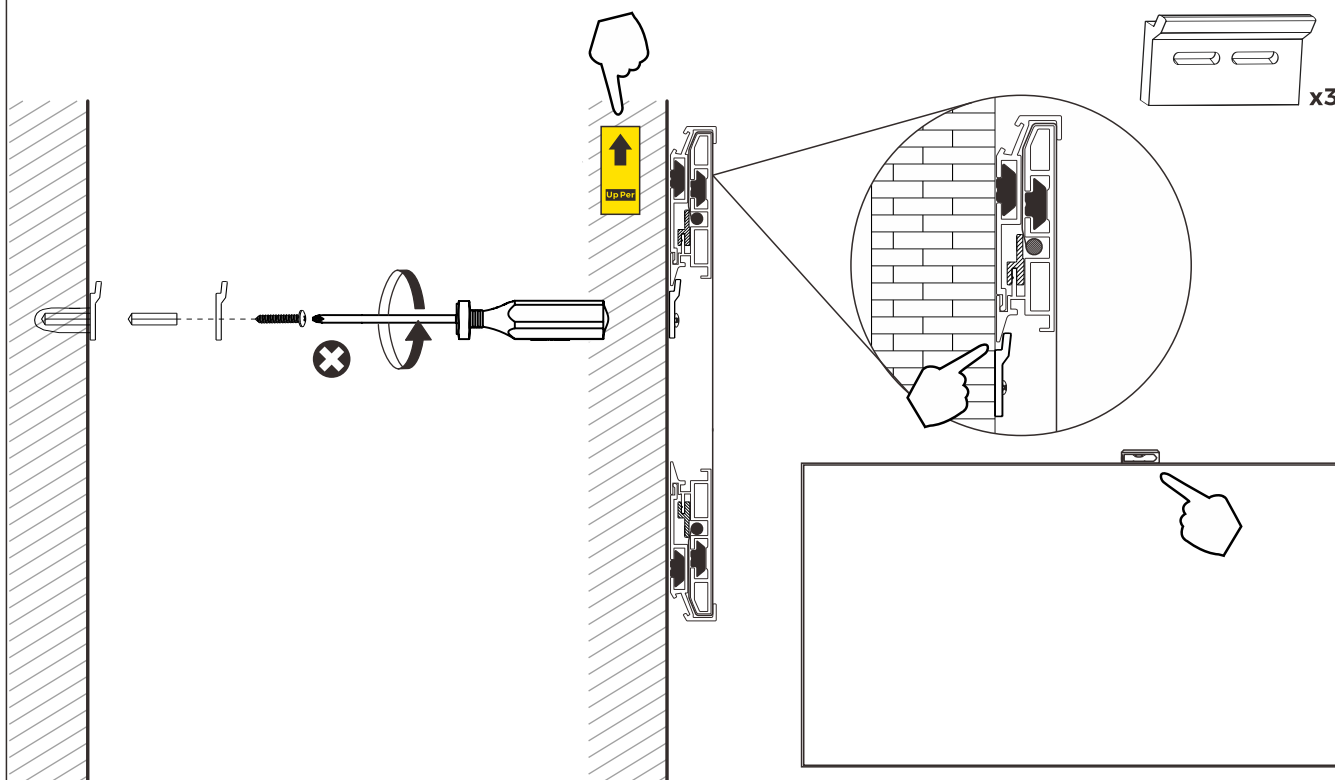
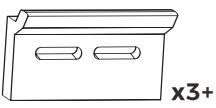
10



WALL INSTALLATION

Please distinguish the correct direction before attaching the Short-throw fabric screen to the wall.

11

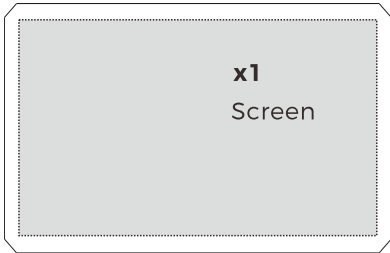


60mm Frame

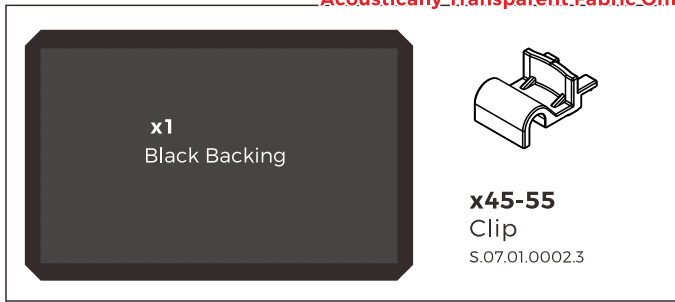
60mm Frame



Please make sure all parts are included in your package before proceeding to assemble fixed frame screen.

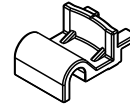


x1
Screen

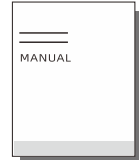


x1
Black Backing

*Acoustically Transparent Fabric Only



x45-55
Clip
S.07.01.0002.3



x1

MANUAL



x4-6
Frame



x1

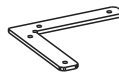


x1
M3Hex Key



Split Frame Only

x2
Splice Bar
J.97.09.0002.2



x4
Corner Joint
J.97.10.0001.2



x24+
Joint Screws
M6x6



x45-55
Pressing Plate
S.07.01.0003.3

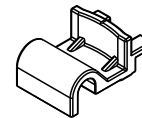


x4-12
Fiberglass rod
s.98.02.1217.0



Only apply to product over 100"

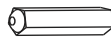
x1
Center Support Bar
J.95.09.1461.3



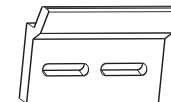
x4
Clip
S.07.01.0002.3



x6+
Mounting Screws(M5x32mm)
B.13.04.0120.6

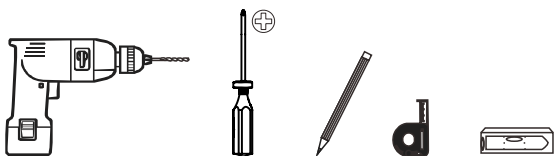


x6+
M8 Expansion Bolts
B.99.008000.0



x3+
Wall Brackets
L.06.03.0001.4

Additional Tools

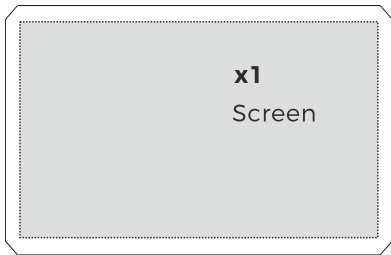


90mm Frame

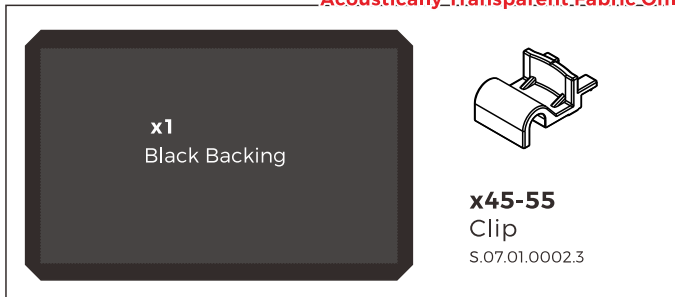
90mm Frame



Please make sure all parts are included in your package before proceeding to assemble fixed frame screen.

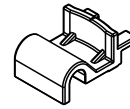


x1
Screen

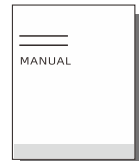


x1
Black Backing

*Acoustically Transparent Fabric Only

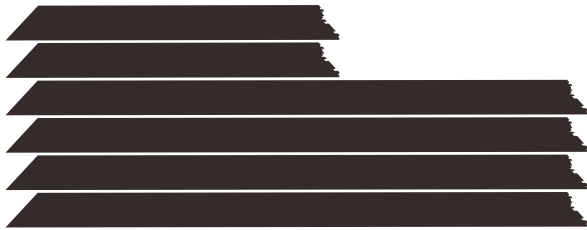


x45-55
Clip
S.07.01.0002.3



x1

MANUAL



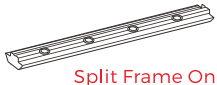
x4-6
Frame



x1

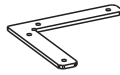


x1
M3Hex Key



Split Frame Only

x4
Splice Bar
J.97.09.0002.2



x8
Corner Joint
J.97.10.0001.2



x48+
Joint Screws
M6x6



x45-55
Pressing Plate
S.07.01.0003.3

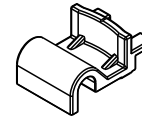


x4-12
Fiberglass rod
s.98.02.1217.0



Only apply to product over 100"

x1
Center Support Bar
J.95.09.1461.3



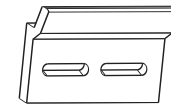
x4
Clip
S.07.01.0002.3



x6+
Mounting Screws(M5x32mm)
B.13.04.0120.6

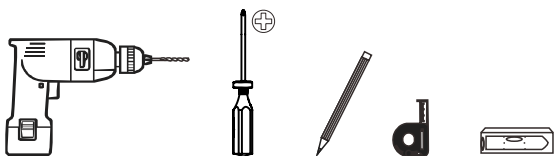


x6+
M8 Expansion Bolts
B.99.008000.0



x3+
Wall Brackets
L.06.03.0001.4

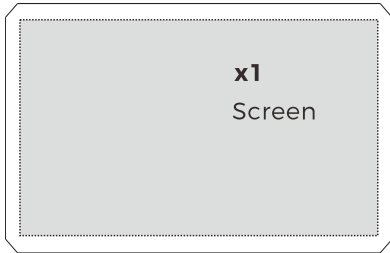
Additional Tools



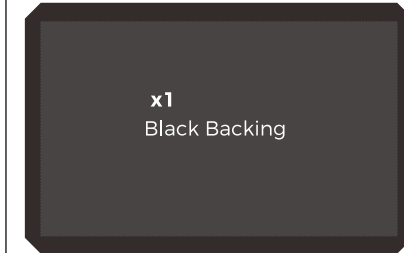
60/90mm CURVED Frame



Please make sure all parts are included in your package before proceeding to assemble fixed frame screen.

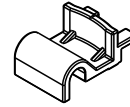


x1
Screen



x1
Black Backing

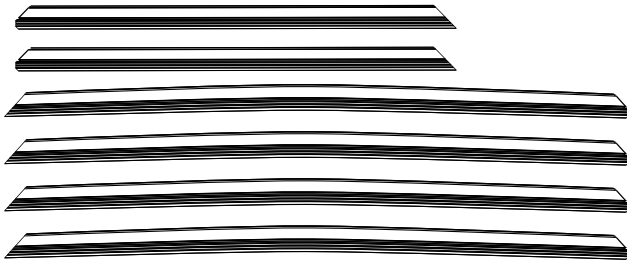
*Acoustically Transparent Fabric Only



x45-55
Clip
S.07.01.0002.3



x1
MANUAL



x4-6
Frame



x1



x1
Hex Key



Split Frame Only

x2-4
Splice Bar
J.97.09.0002.2



x4-8
Corner Joint
J.97.10.0001.2



x24-48
Joint Screws



x45-55
Pressing Plate
S.07.01.0003.3

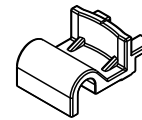


x4-12
Fiberglass rod
s.98.02.1217.0

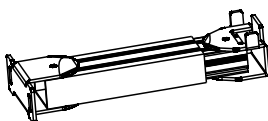


Only apply to product over 100"

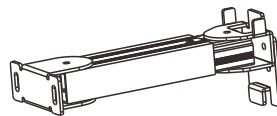
x1
Center Support Bar
J.95.09.1461.3



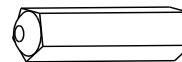
x4
Clip
S.07.01.0002.3



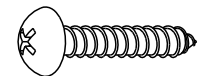
x2
Upper suspension wall bracket



x2
Lower suspension wall bracket

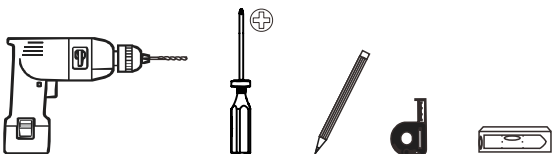


x8
Wall anchor
B.99.008000.0

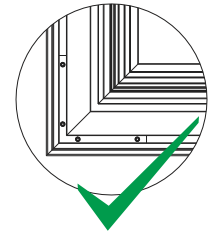
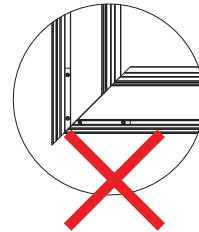
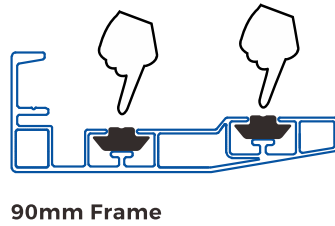
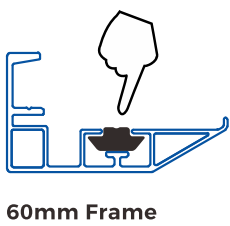
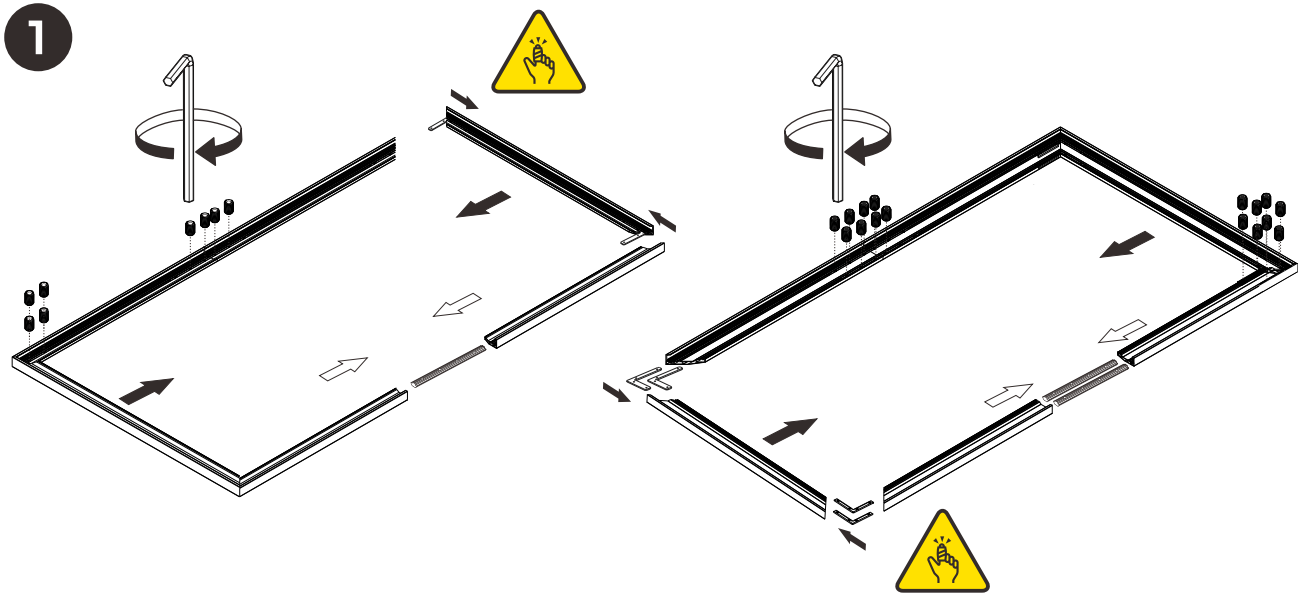
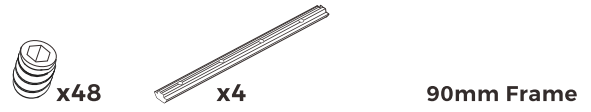
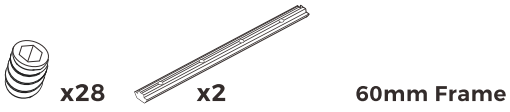
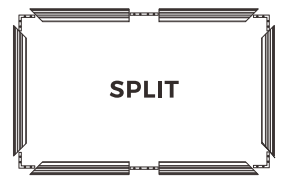


x8
SCREW
B.33.050300.6

Additional Tools



FRAME ASSEMBLY

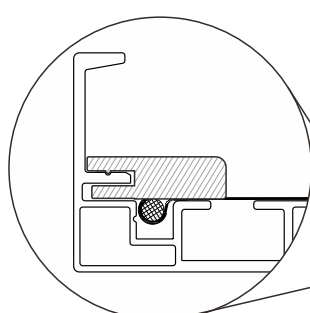
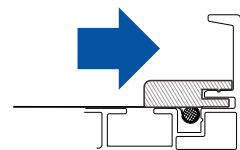
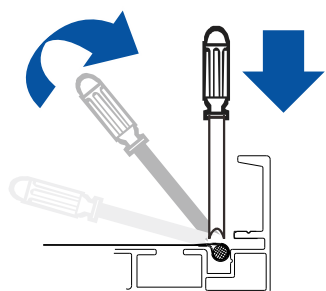
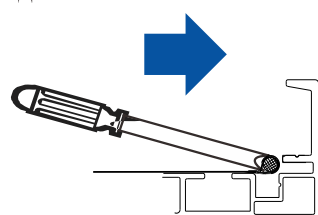
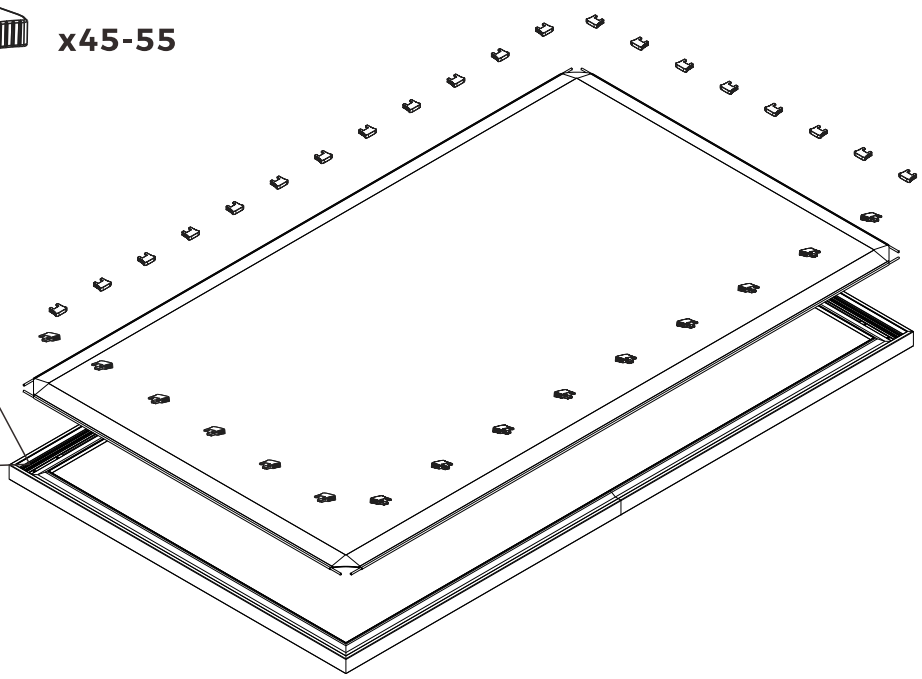
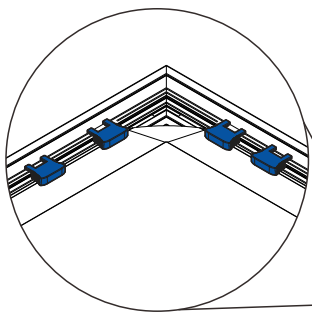


FABRIC ATTACHMENT

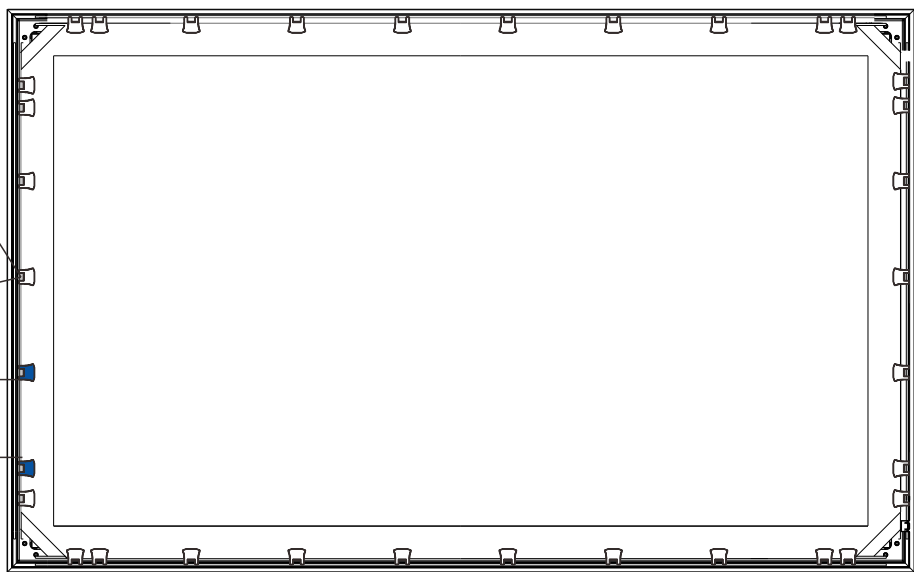


3

 x45-55

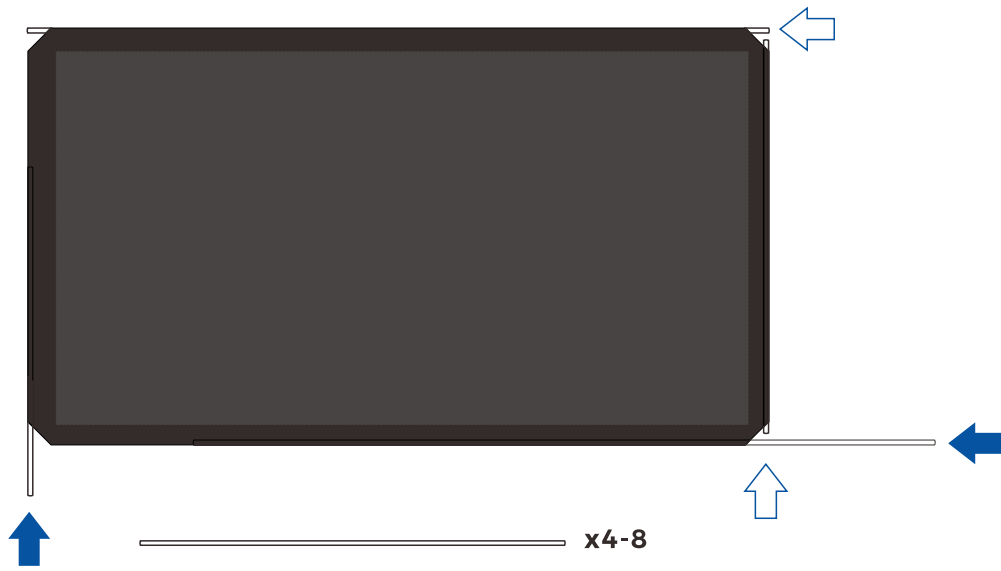


200-250mm

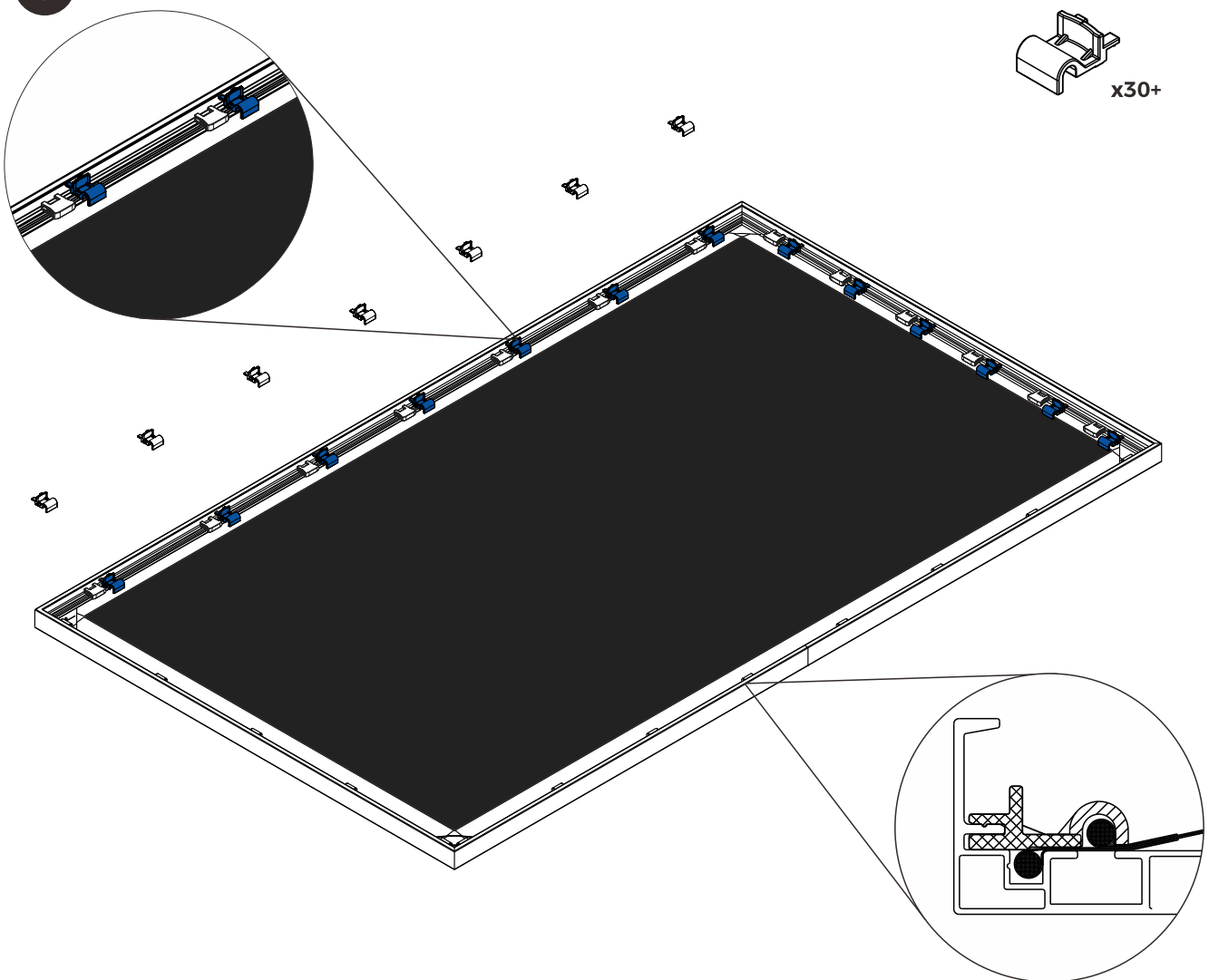


BLACK BACKER ATTACHMENT

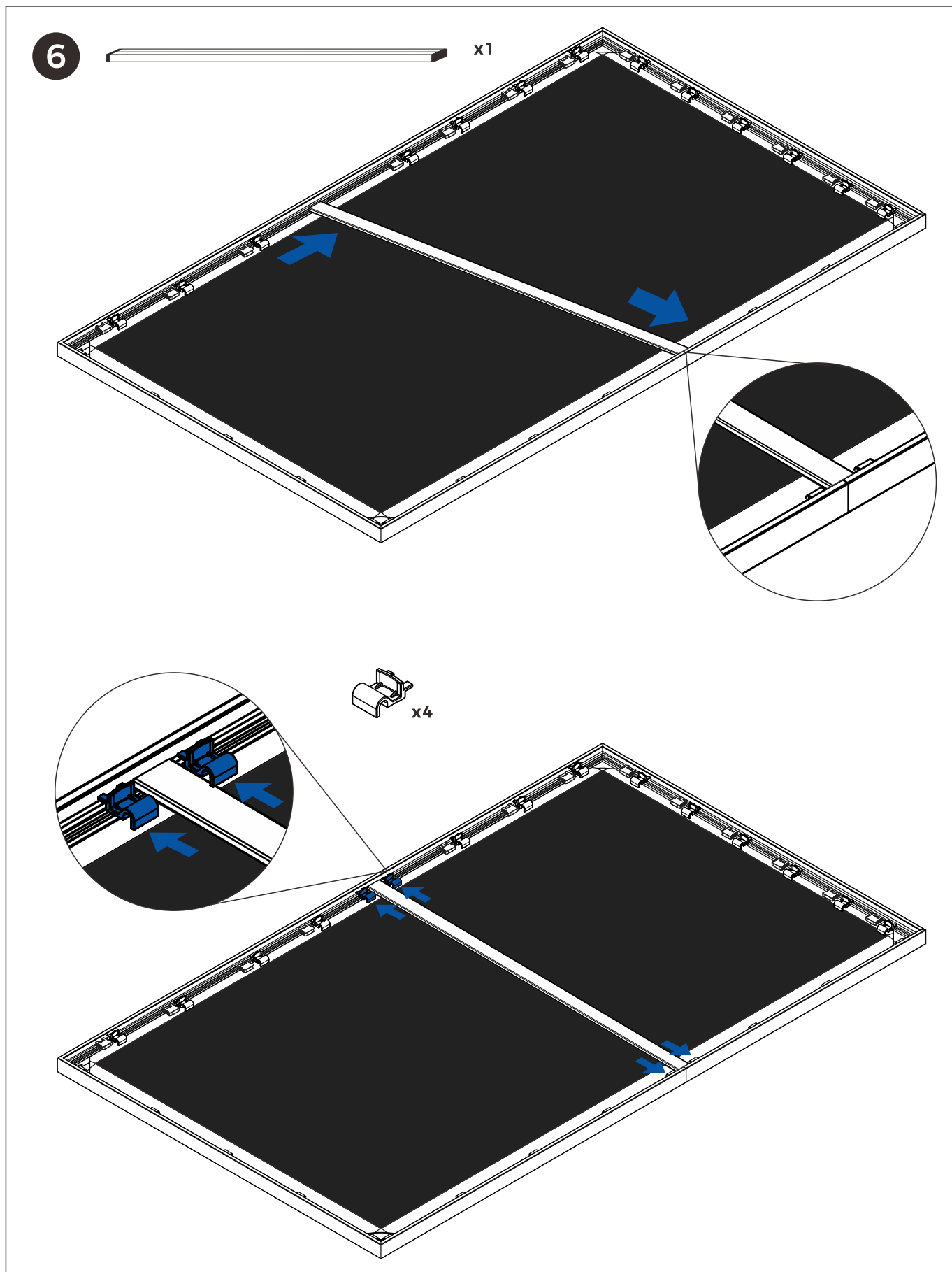
4



5



SUPPORT BAR INSTALLATION



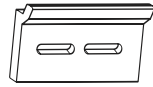
WALL INSTALLATION

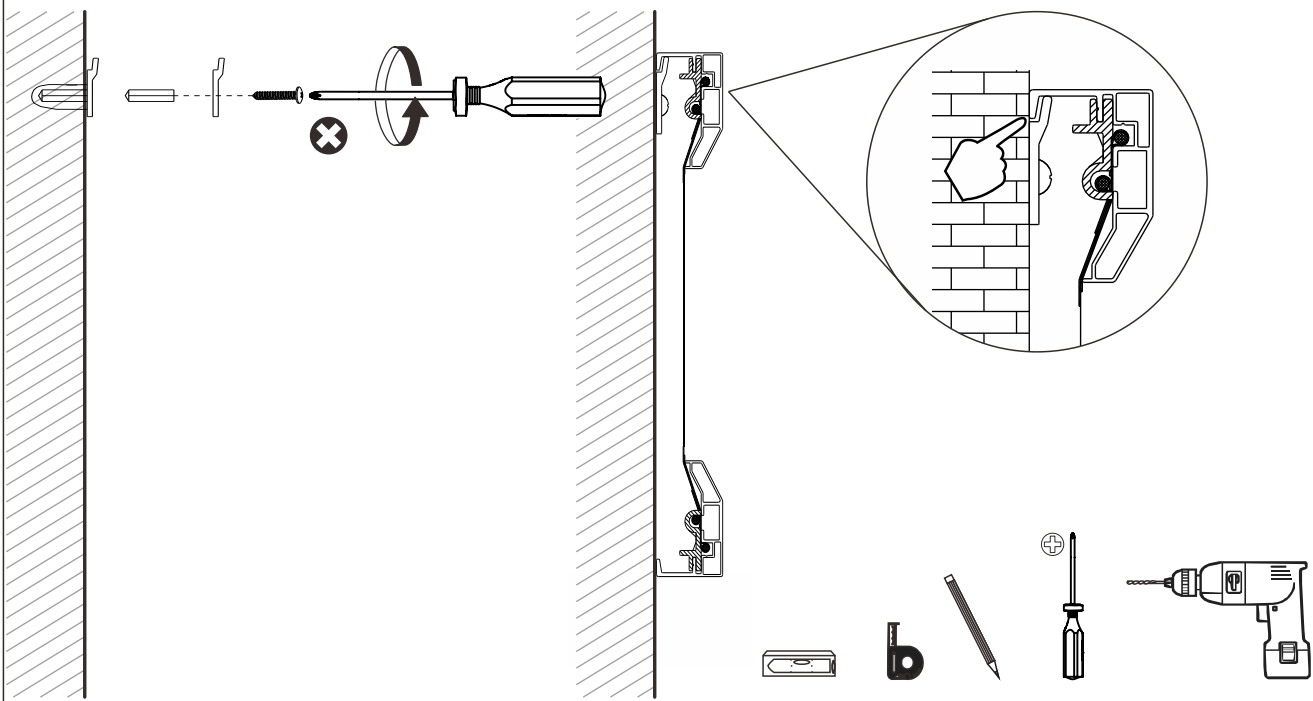
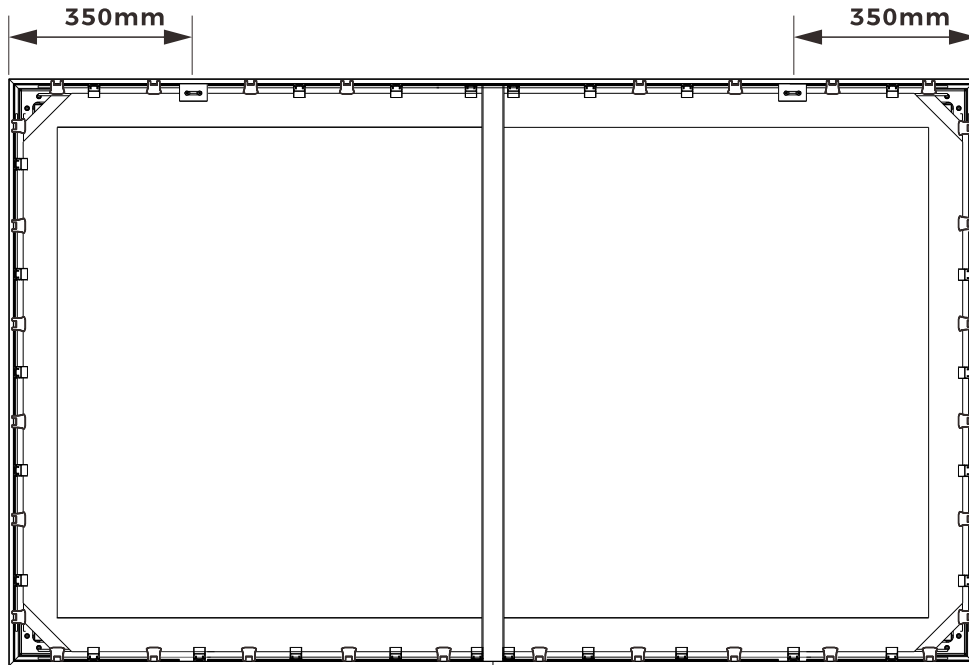


7

 x6+

 x6+

 x3+



WALL INSTALLATION

