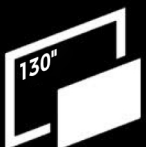


# Living Room Laser TV Home Theater

Fully Enclosed Hidden Laser TV Cabinet



84-130 Inch



One-Touch  
Auto Sync

**4K**

4K HDR  
Giant Screen



High ALR Screen



Fully Enclosed  
Hidden Design



# Electrically Retractable Projection Screen

With one remote, the cabinet module, laser TV and motorized screen power on/off and sync their movements instantly.  
The screen height is adjustable to precisely match the projected image.



# T-PRISM ALR laser TV Screen

The high-contrast screen blocks over 90% of ambient light. So the image stays crisp and bright, no matter day or night. Dive into movies, sports, and more on a massive 84-130" HD display.



# With a single remote, control and synchronize all the movements

With a single press on the laser TV remote, the cabinet's ceiling panel slides open smoothly, while the screen descends simultaneously, readying your entertainment space in one synchronized motion

Featuring a position-lock memory function, the smart gimbal recalls your preferred setup for every subsequent use.



# Engineered Excellence Concealed Intelligence.

Expertly crafted with a seamless finish, it disappears when not in use,  
maximizing space and sophistication.

Command a grand cinematic experience that adapts to your every whim



Walnut Grain



Matte Black

# Technology and Tranquility in Dual Guardianship

"Smart Temperature Control & Silent Cooling:  
**Auto-Detection & Turbo Fan:** Monitors heat and activates a high-speed, quiet turbo fan for precise thermal balance. Enjoy smoother playback, extended durability, and a perfectly serene living room ambiance."



Effectively reduces projector cooling noise.

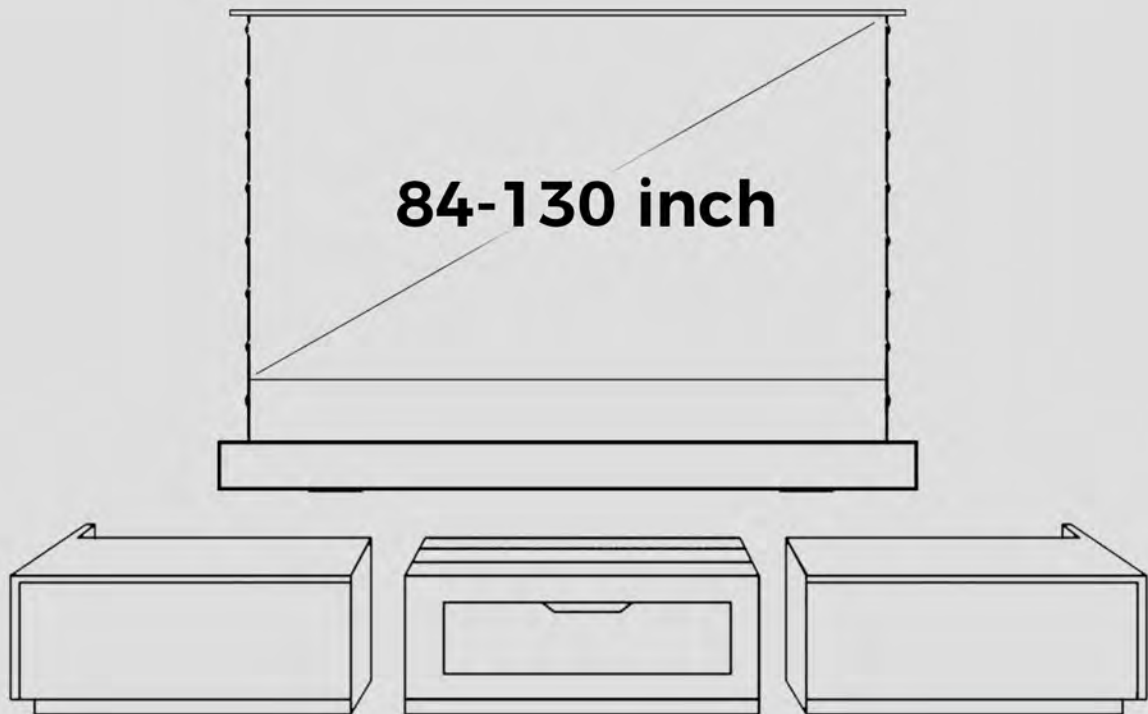
# Seamlessly integrates with smart home systems.

Features protocol-free, seamless integration with any smart home brand, enabling both voice and remote control.



# Bring the 4K Cinema Experience Home with Ease.

The fully concealed smart laser TV cabinet features combinable units in customizable dimensions. This design solves delivery and installation hurdles, allowing you to create a seamless setup that fits your living room perfectly.



# Specifications

Product Name: Fully Enclosed Hidden Laser TV Cabinet

Product Material: Engineered Wood

Installation Method: Three-Section Cabinet Assembly

Available Colors: Walnut Grain / Matte Black

Control Method: Laser TV Remote Control

Maximum Compatible Projector Dimensions:

920 × 490 × 260 mm (L × W × H)

## Dimensions:

84" L2200\*W500\*H410 mm

100" L2500\*W500\*H410 mm

120" L3000\*W500\*H410 mm

130" L3200\*W500\*H410 mm

